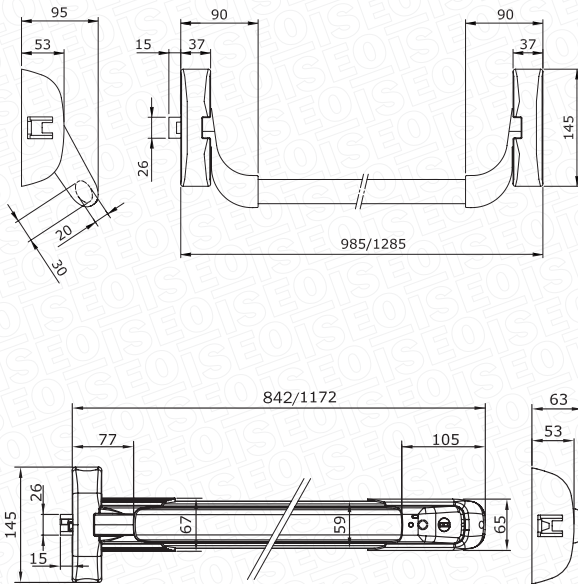


ENDUR4NCE

PANIC EXIT DEVICES



PRODUCT:

Panic exit device with ENDUR4NCE finish.

APPLICATION:

The new ENDUR4NCE finish has been created to meet the requirements of a long lasting surface finish which is aesthetically similar to metal. Experience gained over the years with our suppliers has allowed us to develop this new coating, the realisation of which can be summarised in 3 distinctive production steps: a chromating base, a first layer of powder coating, a second layer of liquid coating combined with ANTIGERM treatment.

Internal tests carried out in compliance with standard UNI EN 1670 have allowed us to achieve optimum results of up to 1000 hours of corrosion tests in neutral salt spray (NSS).

This new treatment allows our panic devices to be installed in particularly corrosive environments, while the presence of the antibacterial treatment makes them particularly suitable for public spaces and all those areas in which hygiene and health protection are an essential requirement: hospitals, clinics, care homes, but also nurseries and kindergartens.

In order to increase resistance to corrosion of visible parts, the latches applied to the panic devices are in stainless steel. Furthermore, the presence of a self-locking device on all the latches also increases resistance to burglary.

RANGE:

The available range is complete and we are able to meet all application requirements. ENDUR4NCE is available in the rim or mortice versions with a push-bar (Type A) or with a touch-bar (Type B - Iseo Push).



TECHNICAL SPECIFICATIONS

Durability:

200,000 cycles.

Door mass:

up to 200 kg.

Door dimensions:

in compliance with EN1125:2008.

Versions:

fire-resistant.

Resistance to corrosion:

functional, 240 operating hours of salt fog according to EN1125:2008.

Bar protrusion:

less than 100 mm.
(less than 150 mm. for the Pro-Exit version).

Operating temperature:

from -10 °C to +60 °C.

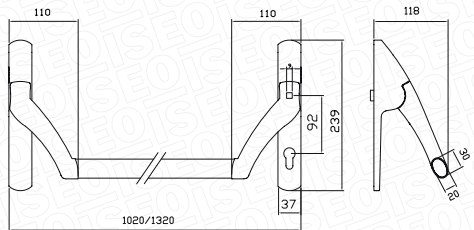
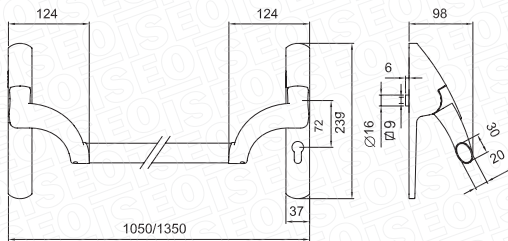
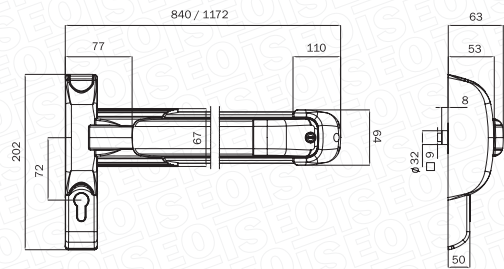
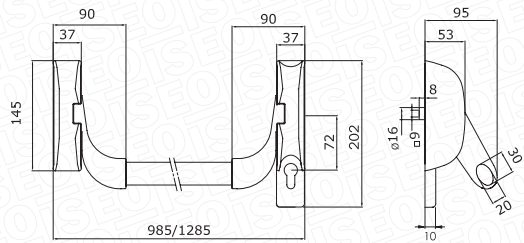
Antibacterial protection:

AntiGerm on all versions.



ENDUR4NCE

PANIC EXIT DEVICES



HIGHLIGHTS AND MAIN FUNCTIONS:

- Certifications: CE Marking according to Regulation 305/2011 CE (CPR), Voluntary product certification issued by the third-party body ICIM as required by the same UNI EN 1125 standard.
- Modularity: thanks to a wide range of accessories.
- Reversibility: can be fitted with LH or RH configuration.
- Adaptability: can be adapted to any type of door frame and configuration (aluminium, PVC, wood, etc.).
- Configurable: for installation on single leaf or double leaf doors.
- Reliability: the entire range has been tested according to the parameters required by the UNI EN1125 standard, for 200,000 cycles.
- Aesthetic resistance to corrosion: up to 1000 hours in salt spray, according to UNI EN 1670.
- Range: available in rim or mortice versions with a push-bar (Type A) or with a touch-bar (TYPE B - Iseo Push), all suitable for installation on fire-resistant doors.
- Controllable: using the external Trim-Tronic control, electric strikes, micro-switch, Aries trim sets.



MATCHING ACCESSORIES

- External Trim and Trim-Tronic controls.
- Aries electronic trim set.
- Electric strike plates.
- Micro-switches.
- Hold-open kit
- Belvedere kit for installation on glass doors.

CERTIFICATIONS

CE Marking according to Regulation 305/2011 CE (CPR)

Voluntary product certification issued by the third-party body ICIM as required by the same UNI EN 1125 standard.

STANDARD EN1125:2008

Classification |3|7|6|B|1|4|2|2|A|A|
Basic Series

Classification |3|7|6|B|1|4|2|2|B|A|
Push Series

Classification |3|7|6|B|1|4|2|2|A|A|
Mortice Basic Series
+ 2126**65* / 2127**65*

Classification |3|7|6|B|1|4|2|2|A|A|
Palmo Series
+ 2126**65* / 2127**65*

Classification |3|7|6|B|1|4|2|2|B|A|
Mortice Push Series
+ 2126**65* / 2127**65*

Classification |3|7|7|B|1|4|2|2|A|B|
Pro exit + Multiblindo Easy Exit /
Multiblindo eMotion Exit Series