



PANIC/PRO 4RM

Panic armoured door locks

2020.11.03

Confidentiality Notice

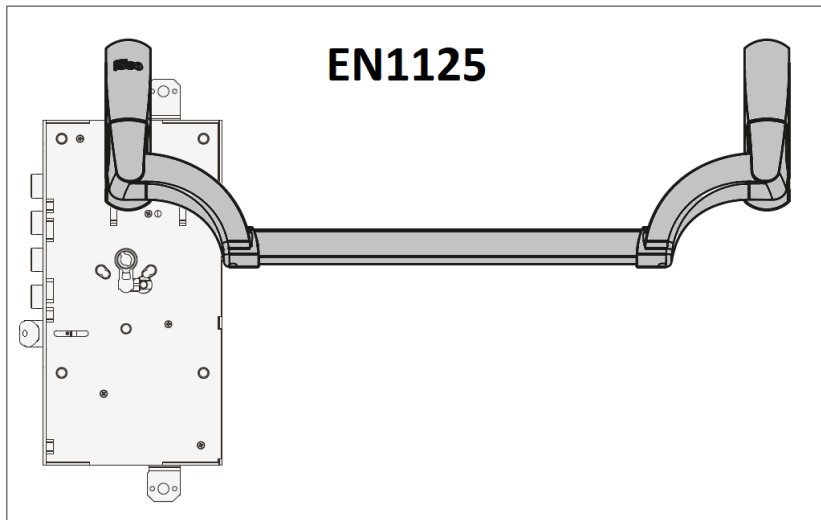
This document contains information that is proprietary and confidential property of ISEO Serrature Spa. By acceptance hereof, each recipient agrees to use the information contained herein only for the purpose anticipated by ISEO Serrature Spa, and not to disclose to others, copy or reproduce, any part hereof without the written consent of ISEO Serrature Spa.

The recipient agrees to return this document to ISEO Serrature Spa immediately upon request.

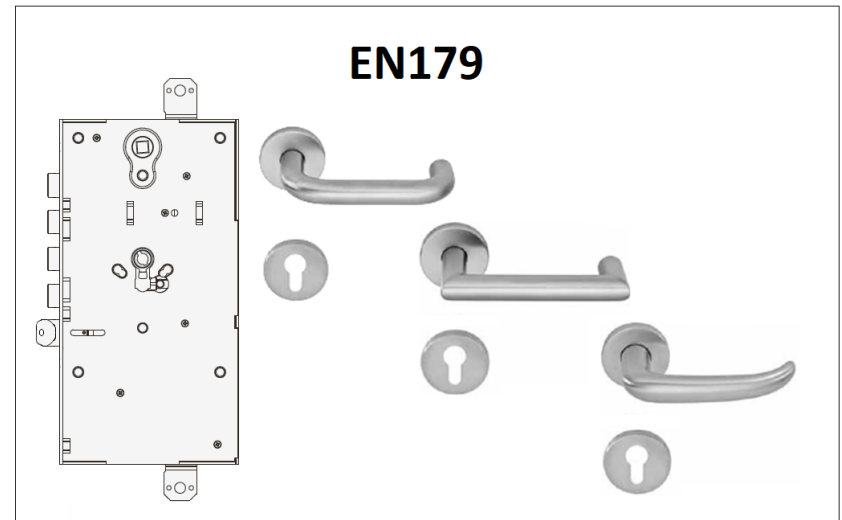


PANIC/PRO 4RM Panic Armored Door Locks Standards

PANIC



EMERGENCY



Iseo doesn't sell the handles but mentions the models in the product certificate

Mechanical locks → EN12209

Motor locks → EN14846

Corrosion → EN1670

PANIC/PRO 4RM Panic Armored Door Locks Range

■ PANIC 4RM mechanical rim locks (4 models)

- Centre distance pistons 28 and 37 mm
- Pistons projections 3 and 13 mm

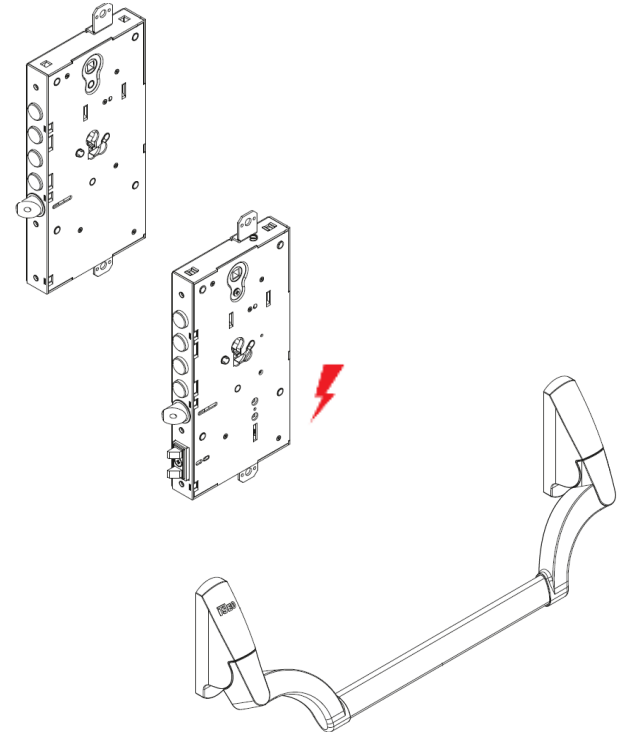
■ PANIC 4RM motor rim locks (4 models)

- Centre distance pistons 28 and 37 mm
- Pistons projections 3 and 13 mm

■ PRO 4RM panic devices (4 finishes)

- Black painted
- White painted
- Metal gray painted
- Endurance

■ Bars 9459* serie, as Iseo catalog



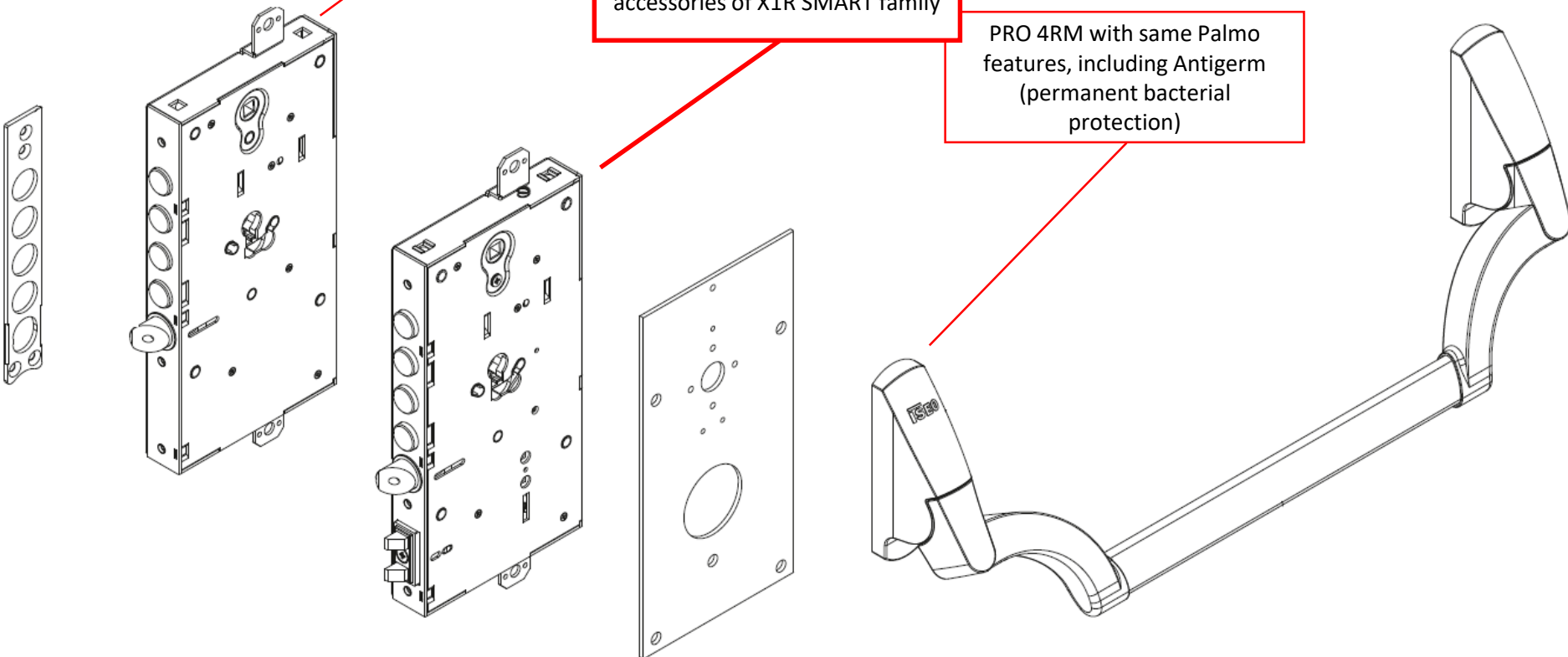
PANIC/PRO 4RM Panic Armored Door Locks

Features 1

PANIC 4RM mechanical
With same X1R case
262x136x30 mm

PANIC 4RM motor
With same features and
accessories of X1R SMART family

PRO 4RM with same Palmo
features, including Antigerm
(permanent bacterial
protection)



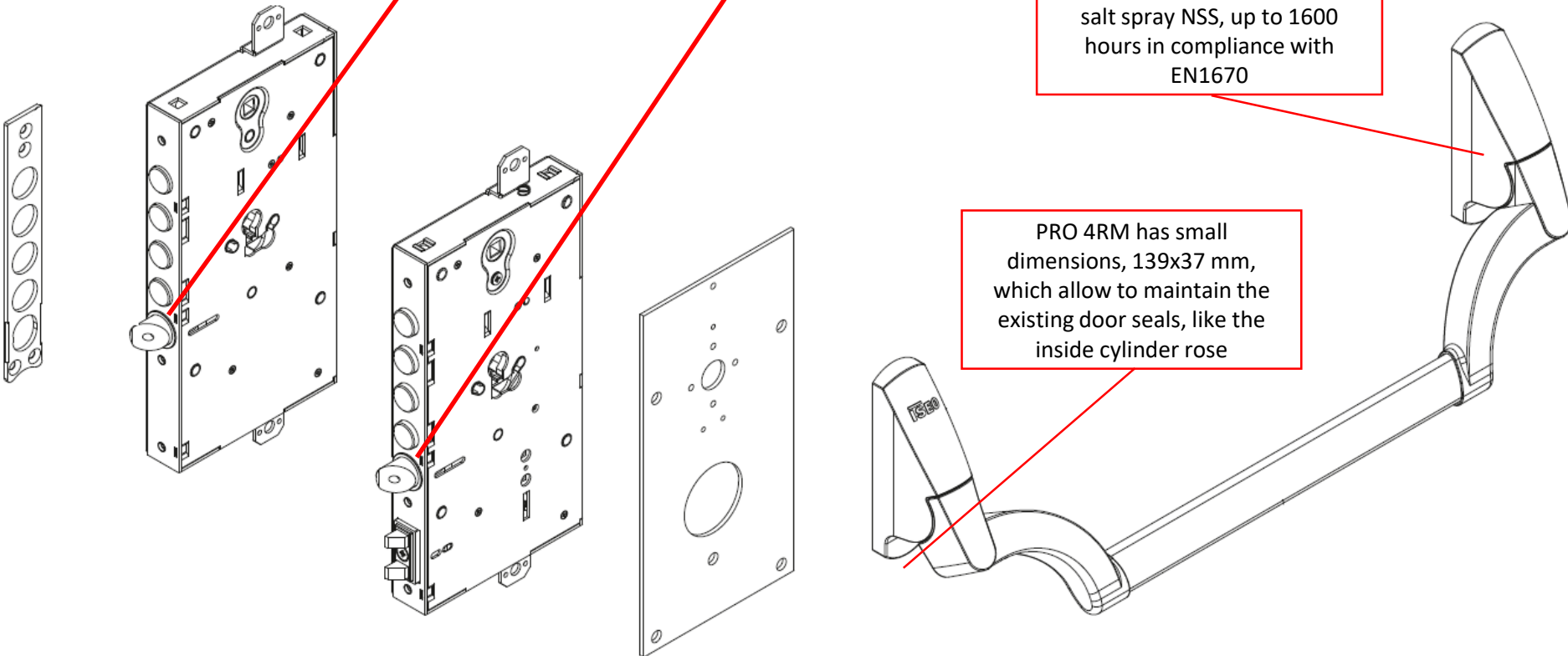
PANIC/PRO 4RM Panic Armored Door Locks

Features 2

PANIC 4RM locks have reversible and adjustable latches to adapt to the variable distances between door and frame. It is useful for obtaining the best ratio between latch grip and opening force

PRO 4RM is in 4 finishes, including Endurance which gives strength and a very high corrosion resistance in neutral salt spray NSS, up to 1600 hours in compliance with EN1670

PRO 4RM has small dimensions, 139x37 mm, which allow to maintain the existing door seals, like the inside cylinder rose



PANIC/PRO 4RM Panic Armored Door Locks

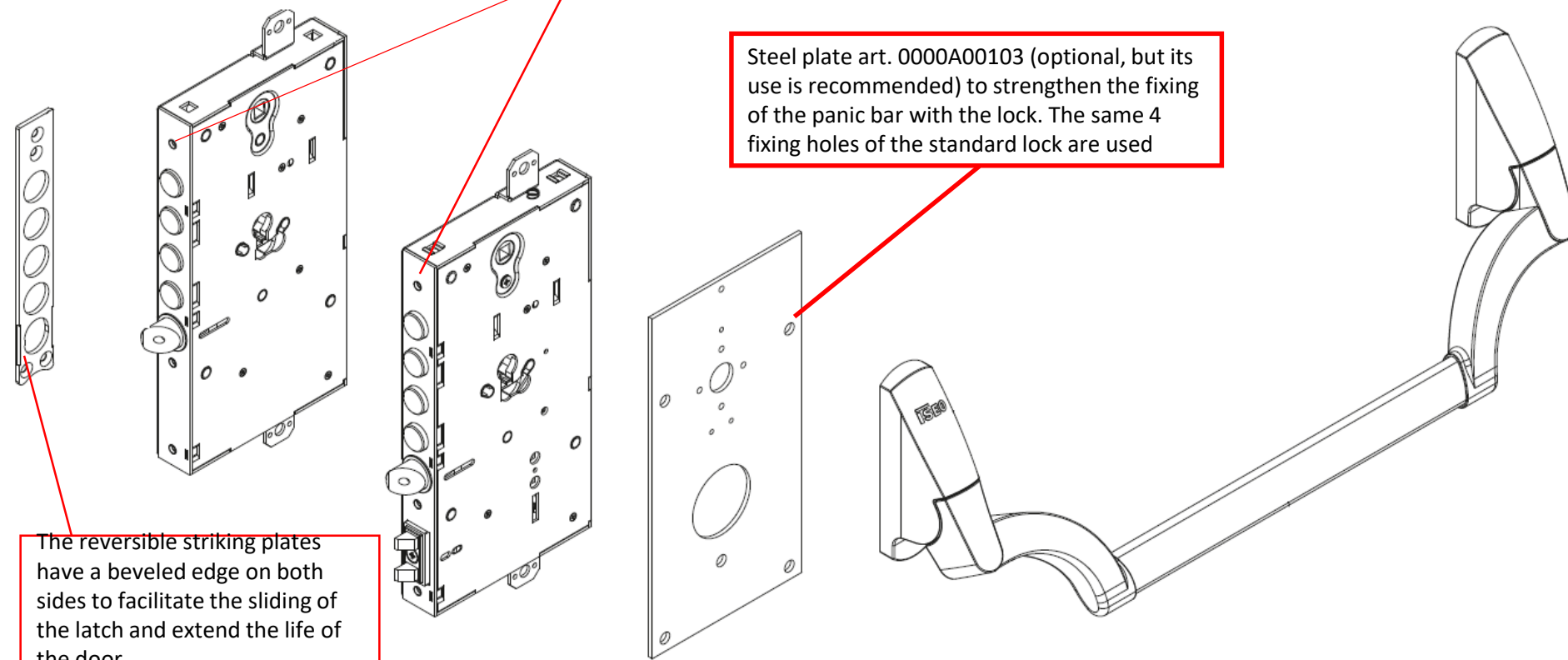
Features 3

Rim PANIC 4RM
It can add the specific frontplate to change in mortise version

PANIC 4RM e PRO 4RM
They are suitable for fire armored doors

Steel plate art. 0000A00103 (optional, but its use is recommended) to strengthen the fixing of the panic bar with the lock. The same 4 fixing holes of the standard lock are used

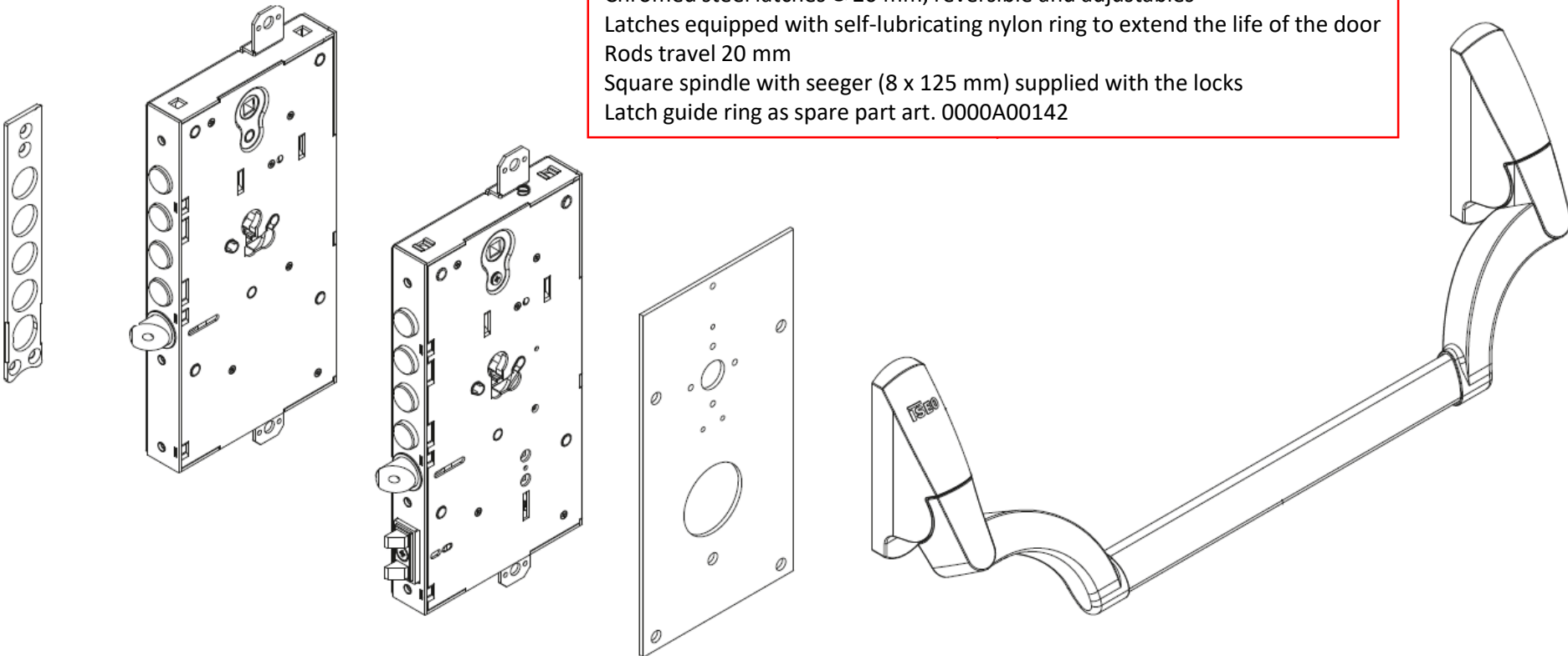
The reversible striking plates have a beveled edge on both sides to facilitate the sliding of the latch and extend the life of the door



PANIC/PRO 4RM Panic Armored Door Locks

Features 4

Bracket 63 mm
Centre distance 85 mm
Chromed steel deadbolts \varnothing 18 mm, 2 throws, excursion 30 mm
Pistons interax 28 mm (4 pistons) and 37 mm (3 pistons)
Deadbolt projections 3 and 13 mm
Chromed steel latches \varnothing 20 mm, reversible and adjustables
Latches equipped with self-lubricating nylon ring to extend the life of the door
Rods travel 20 mm
Square spindle with seeger (8 x 125 mm) supplied with the locks
Latch guide ring as spare part art. 0000A00142



PANIC/PRO 4RM Panic Armored Door Locks Competition

■ Cisa → Exitlock locks + type A & B Fast panic device



■ Mottura → Gorilla system: locks and panic device with big dimensions (the first)

GO-OUT system: automatic locks and panic device with small dimensions (the last)





Iseo Serrature

Pisogne, BS
Rovellasca, CO
Italy



Cerraduras Iseo Ibérica

Madrid
Spain

Iseo Middle East

Dubai
United Arab Emirates

Iseo Deutschland

Gera
Germany

Iseo France

Melun
France

Iseo Asia Pacific

Puchong
Malaysia

Iseo Beijing

Beijing
P.R. China

Iseo South Africa

Cape Town
South Africa

Microhard

Rovellasca
Italy

Feroneria Prod

Arad
Romania

Iseo Colombia

Bogotá
Colombia

Iseo Perú

Lima
Perú

**Iseo Projects &
Access Control**

Dubai
United Arab Emirates

Locken

Madrid, Spain
Courbevoie, France
London, United Kingdom

iseo.com

