



GEZE TS 500 N / TS 550 N / TS 550 AND VARIATIONS
FLOOR SPRINGS FOR SINGLE AND DOUBLE ACTION DOORS



GEZE TS 500 N / TS 550 N / TS 550 AND VARIATIONS

CONTENTS

Floor springs for 1-leaf single and double actions doors

GEZE TS 500 NV / TS 500 N EN3	4
GEZE TS 550 NV / TS 550 N EN4	6

Floor springs for 1-leaf single action doors

GEZE TS 550 NV F	8
GEZE TS 550 E	10
GEZE TS 23	12

Floor springs for 2-leaf single action doors

GEZE TS 550 IS	14
GEZE TS 550 E-IS	16

Floor springs with lever and guide rail for doors with hinges

GEZE TS 550 G-variations	18
--------------------------	-----------

Accessories and additional product information

Accessories for floor springs	20
Installation examples	28
Electrical installation and functional description (E-floor springs)	35

GEZE TS 500 N / TS 550 N / TS 550 AND VARIATIONS

GEZE TS 500 NV / TS 500 N EN3

Floor springs for 1-leaf single and double action doors up to 1100 mm leaf width

Product features

- Overall height 42 mm
- Closing force adjustable size 1-4 according to EN1154 (TS 500 NV)
Closing force size 3 according to EN 1154 (TS 500 N EN3)
- Back check
- Closing speed adjustable
- Latching action adjustable (TS 500 NV)
- Safety valve preventing deliberate overloading
- Closing range from approx. 170°
- Large adjustment range:
height 6 mm, lateral 10 mm, length 10 mm
- Galvanised cement box



Application range TS 500 NV

- For right and left hand closing single-action doors
- For internal double-action doors
- For leaf width up to 1100 mm
- For leaf weights up to 150 kg

Application range TS 500 N EN3

- For internal right and left closing single-action doors
- For internal double-action doors
- For leaf width up to 950 mm
- For leaf weights up to 100 kg

Standard version/Scope of delivery

Floor spring complete with flat-tapered spindle, cement box and installation instructions. Without hold-open mechanism (cover plate not included).

Special versions

- With hold-open mechanism 85°, 90°, 105° and 120°
- With extended spindle up to 50 mm (5 mm selection)

Cover plates

Various cover plates with screw accessories are available for GEZE floor springs. Cover plates can be used for both right and left hand closing single-action doors and for double-action doors.

Pivot lever/Guide rail

For the installation of a floor spring for a single-action door a special pivot lever and door rail with a pivot point of 36 mm is required.

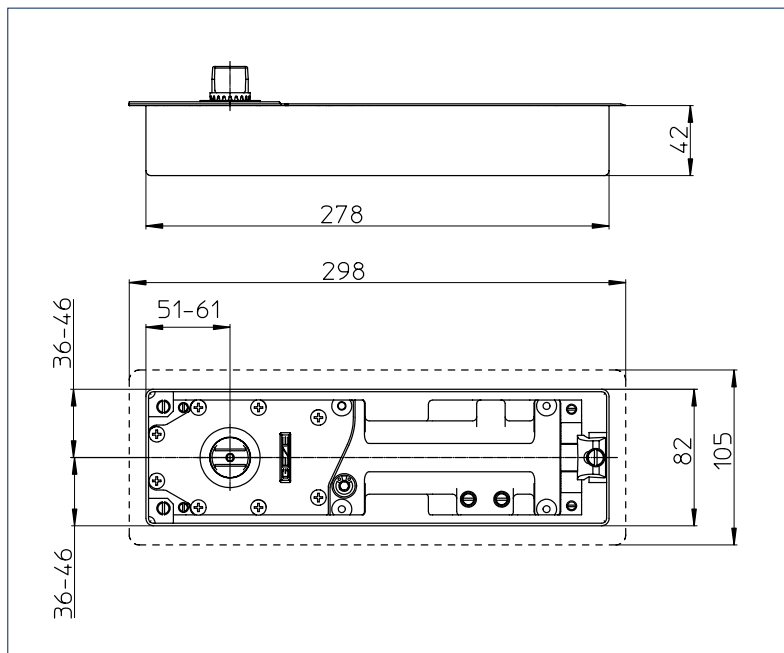
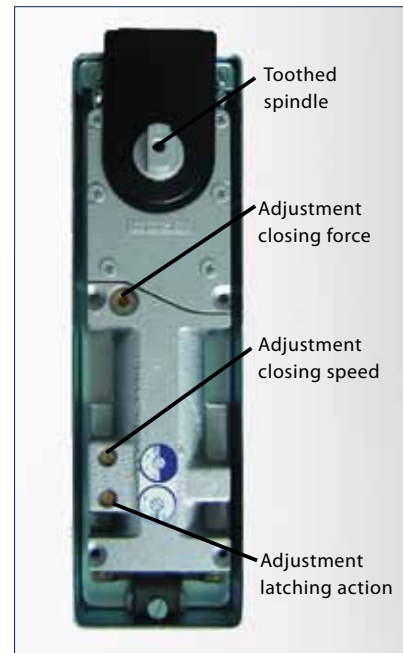


Fig. 04-1 · GEZE Floor spring TS 500 NV (same dimensions for GEZE TS 500 N EN3)



GEZE TS 500 N / TS 550 N / TS 550 AND VARIATIONS

Ordering information

Description	Finish	ID no.
GEZE TS 500 NV	standard version	102084
GEZE TS 500 NV with hold-open mechanism ¹⁾	hold-open angle:	
	85°	103974
	90°	104028
	105°	104029
	120°	104030
GEZE TS 500 N EN3	standard version	103086
GEZE TS 500 N EN3 with hold-open mechanism ¹⁾	hold-open angle:	
	85°	104046
	90°	104047
	105°	111594
	120°	111596
Accessories		
Pivot lever and guide rail	see page 20 f.	
Cover plate	stainless steel	102127
	LM, dark bronze	103011
	satin brass	103012
Toothed spindle extensions ²⁾	length:	
	5 mm	010337
	8 mm	050930
	10 mm	010338
	13 mm	052170
	15 mm	010347
	20 mm	010372
	25 mm	010373
	28 mm	050931
	30 mm	010374
	35 mm	010377
	40 mm	010378
45 mm	010381	
50 mm	010385	

¹⁾ The specified hold-open angle applies to single-action doors. With double-action doors, each hold-open angle is 5° greater.
Example: A GEZE TS 500 NV with 85° hold-open will have a hold-open angle of 90°, if used as floor spring for double-action doors.

²⁾ The use of an extended spindle may become necessary depending on the mounting position.
The original GEZE TS 500 NV / TS 500 N EN3 spindle can be easily unscrewed and replaced by a longer version.

GEZE TS 500 N / TS 550 N / TS 550 AND VARIATIONS

GEZE TS 550 NV / TS 550 N EN4

Floor springs for 1-leaf single and double action doors up to 1400 mm leaf width

Product features

- Overall height 54 mm
- Closing force adjustable size 3-6 according to EN1154 (TS 550 NV)
Closing force size 4 according to EN 1154 4 (TS 550 N EN4)
- Infinitely variable hydraulic hold-open (80° - 165°), can be enabled/disabled
- Delayed closing instead of hold-open is possible
- Closing speed adjustable
- Latching action adjustable
- Fixed back check, integrated
- Safety valve preventing deliberate overloading
- All settings can be adjusted from the top (when installed)
- Closing range from approx. 170°
- Large adjustment range:
height 6 mm, lateral 10 mm, length 9 mm
- Galvanised cement box

Application range TS 550 NV

- For highly frequented doors
- For right and left hand closing single-action doors
- For double-action doors
- For leaf width up to 1400 mm
- For leaf weights up to 300 kg



Application range TS 550 N EN4

- For highly frequented doors
- For right and left hand closing single-action doors
- For double-action doors
- For leaf width up to 1100 mm
- For leaf weights up to 300 kg

Standard version/Scope of delivery

Floor spring complete with flat-tapered spindle, cement box and installation instructions (cover plate not included)

Special versions

With extended spindle up to 50 mm (5 mm selection)

Sturdy cover plates, 1,5 mm thick

Various cover plates with screw accessories are available for GEZE floor springs. Cover plates can be used for both right and left hand closing single-action doors and for double-action doors.

Pivot lever/Guide rail

For the installation of a floor spring for a single-action door a special pivot lever and door rail with a pivot point of 36 mm is required.

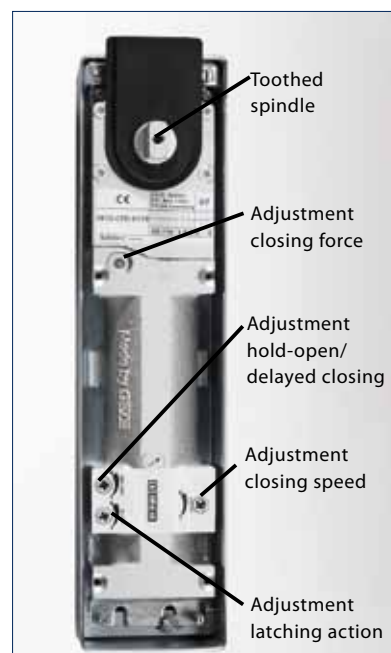
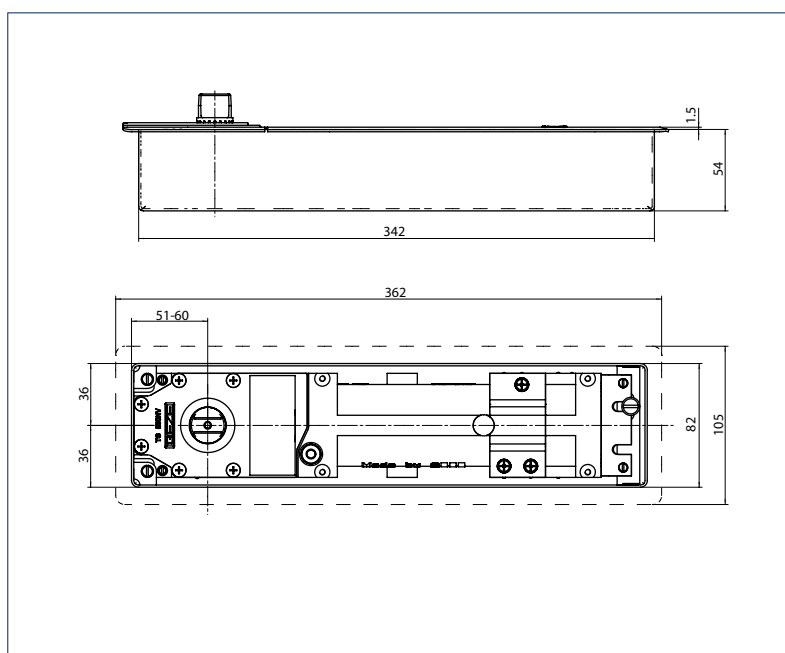


Fig. 06-1 · GEZE floor spring TS 550 NV (same dimensions for GEZE TS 550 N EN4)

GEZE TS 500 N / TS 550 N / TS 550 AND VARIATIONS

Bestellinformation

Description	Finish	ID no.	
GEZE TS 550 NV	standard version	123950	
GEZE TS 550 N EN4	standard version	125982	
Accessories			
Pivot lever and guide rail	see page 20 f.		
Cover plate	stainless steel	125888	
	LM, dark bronze	125889	
	satin brass	125890	
Toothed spindle extensions ¹⁾	length:		
		5 mm	010337
		8 mm	050930
		10 mm	010338
		13 mm	052170
		15 mm	010347
		20 mm	010372
		25 mm	010373
		28 mm	050931
		30 mm	010374
		35 mm	010377
		40 mm	010378
	45 mm	010381	
	50 mm	010385	

¹⁾ The use of an extended spindle may become necessary depending on the mounting position.
The original GEZE 550 NV / TS 550 N EN4 spindle can be easily unscrewed and replaced by a longer version.



TS 550 NV

GEZE TS 500 N / TS 550 N / TS 550 AND VARIATIONS

GEZE TS 550 NV F

Floor springs for 1-leaf fire and smoke protection doors up to 1400 mm leaf width



Product features

- Overall height 54 mm
- Closing force size 3-6 according to EN1154 infinitely adjustable from the top
- Delayed closing is possible
- Closing speed adjustable
- Latching action adjustable
- Fixed back check, integrated
- Safety valve preventing deliberate overloading
- All settings can be done from the top
- Closing range from approx. 180°
- Large adjustment range: height 6 mm, lateral 10 mm, length 9 mm
- Galvanised cement box

Application range

- For fire doors without hold-open mechanism
- For highly frequented doors
- For right and left hand closing single-action doors
- For leaf width up to 1400 mm
- For leaf weights up to 300 kg

Standard version/Scope of delivery

Floor spring complete with flat-tapered spindle and cement box (cover plate not included)

The requirement

The standards stipulate that the door closer size (closing force of the closer) must be selected appropriate to the door width. The next highest size must be selected if the structural (door height, door weight) or local conditions (wind influence) make this necessary.

The solution from GEZE

The floor spring TS 550 NV F covers several door closer sizes in one housing. These sizes can be adjusted using an adjustment screw.

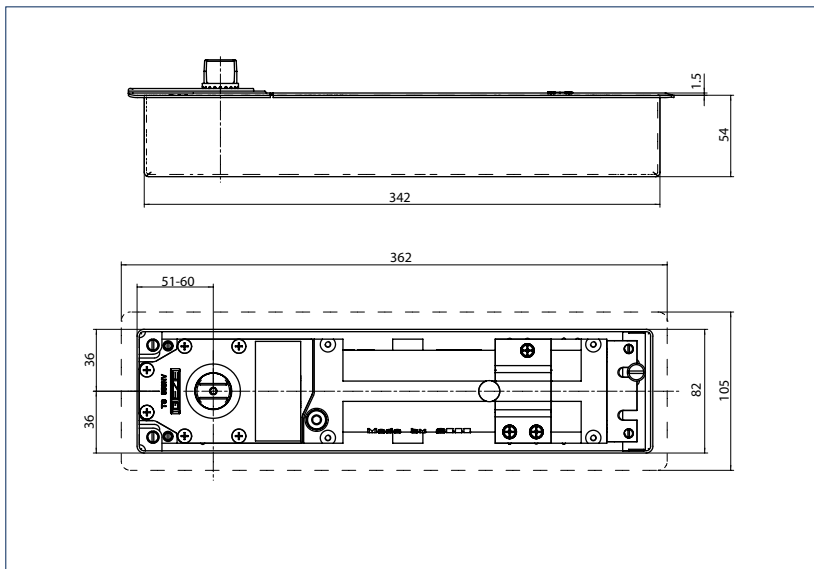


Fig. 08-1 · GEZE floor spring TS 550 NV F

Closing force	Door leaf width (mm)
Size 3	up to 950
Size 4	over 950 up to 1100
Size 5	over 1100 up to 1250
Size 6	over 1250 up to 1400

GEZE TS 500 N / TS 550 N / TS 550 AND VARIATIONS

Ordering information

Description	Finish	ID no.	
GEZE TS 550 NV F	DIN left	132755	
GEZE TS 550 NV F	DIN right	132754	
Accessories			
Pivot lever and guide rail	see page 20 f.		
Cover plate	stainless steel	125888	
	LM, dark bronze	125889	
	satin brass	125890	
Toothed spindle extensions ^{1) 2)}	length:		
		5 mm	010337
		8 mm	050930
		10 mm	010338
		13 mm	052170
		15 mm	010347
		20 mm	010372
		25 mm	010373
		28 mm	050931
		30 mm	010374
		35 mm	010377
	40 mm	010378	
	45 mm	010381	
	50 mm	010385	

¹⁾ Only for approved fire and smoke protection doors where the use of spindle extensions has been specified in the official approval certificate.

²⁾ The use of an extended spindle may become necessary depending on the mounting position.
The original GEZE 550 NV F spindle can be easily unscrewed and replaced by a longer version.



TS 550 NV F

GEZE TS 550 E

Floor spring with electromechanical hold-open for 1-leaf fire and smoke protection doors up to 1400 mm leaf width



Product features

- According to EN1154 and EN1155
- Closing force adjustable size 3-6
- Infinitely variable hold-open (80°-175°), can be enabled/disabled
- Variable hold-open time for held-open door
- Closer in only one construction size
- Closing force and latching action adjustable
- Safety valve preventing deliberate overloading
- Closing range from approx. 180°
- Large adjustment range: height 6 mm, lateral 10 mm, length 10 mm
- Galvanised cement box

- Plug-in connection cable (approx. 3 m)
- Approved for recognised smoke detection by the institute of civil engineering (DIBt), Berlin

Application range

- For right and left hand closing single-action doors
- For leaf width up to 1400 mm
- For leaf weights up to 250 kg
- For smoke and fire protection doors with provision for floor springs

Standard version/Scope of delivery

Floor spring complete with flat-tapered spindle, cement box and connection cable (cover plate not included)

The requirement

The standards stipulate that the door closer size (closing force of the closer) must be selected appropriate to the door width. The next highest size must be selected if the structural (door height, door weight) or local conditions (wind influence) make this necessary.

The solution from GEZE

The floor spring TS 550 E covers several door closer sizes in one housing. These sizes can be adjusted using an adjustment screw.

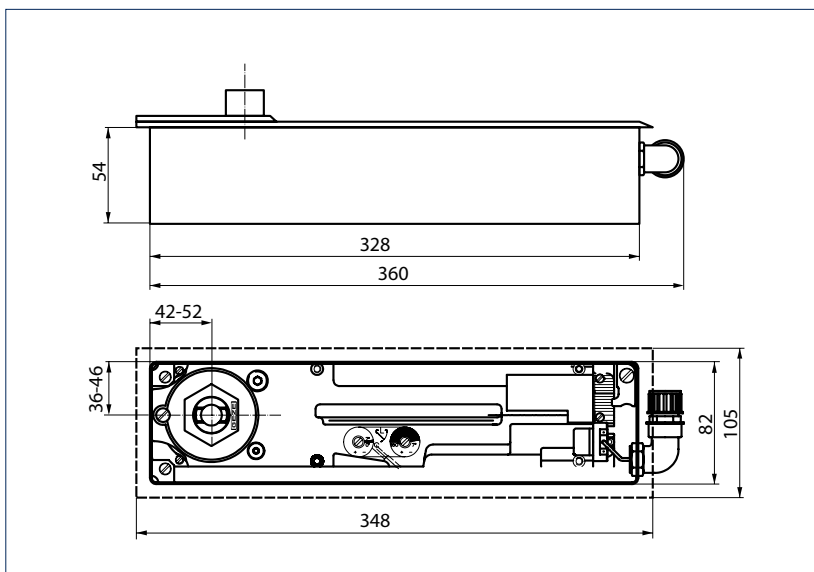


Fig. 10-1 · GEZE floor spring TS 550 E

Closing force	Door leaf width (mm)
Size 3	up to 950
Size 4	over 950 up to 1100
Size 5	over 1100 up to 1250
Size 6	over 1250 up to 1400

GEZE TS 500 N / TS 550 N / TS 550 AND VARIATIONS

Ordering information

Description	Finish	ID no.	
GEZE TS 550 E (operating voltage 24 V DC)	DIN left	064975	
	DIN right	064976	
Accessories			
Pivot lever and guide rail	see page 20 f.		
Deckplatte	stainless steel	057766	
	LM, dark bronze	057769	
	satin brass	057767	
Toothed spindle extensions ^{1) 2)}	length:		
		5 mm	010337
		8 mm	050930
		10 mm	010338
		13 mm	052170
		15 mm	010347
		20 mm	010372
		25 mm	010373
		28 mm	050931
		30 mm	010374
		35 mm	010377
	40 mm	010378	
	45 mm	010381	
	50 mm	010385	

¹⁾ Only for approved fire and smoke protection doors where the use of spindle extensions has been specified in the official approval certificate.

²⁾ The use of an extended spindle may become necessary depending on the mounting position.

The original GEZE 550 E spindle can be easily unscrewed and replaced by a longer version.



TS 550 E

GEZE TS 23

Floor spring for 1-leaf single-action doors



Product features

- Closing force size 2, 4 or 5 according to EN 1154
- 3 closer versions with different closer sizes
- 90° hold-open can be enabled/disabled
- Closing speed adjustable
- Safety valve preventing deliberate overloading
- Adjustment range: lateral 10 mm, length 5 mm
- Galvanised cement box
- The hydraulic cylinder can be exchanged without unhinge the door

Application range

- For right and left hand closing single-action doors
- For leaf width up to 850 mm, size 2 according to EN 1154 up to 1100 mm, size 4 according to EN 1154 up to 1250 mm, size 5 according to EN 1154
- For leaf weights up to 250 kg

Standard version/Scope of delivery

Floor spring complete with flat-tapered spindle left or right and cement box (cover plate not included)

Special versions

- GEZE TS 23 for wet environment ¹⁾
- GEZE TS 23 with extended spindle, up to 50 mm (in 5 mm steps)
- GEZE TS 23 with flat-tapered spindle

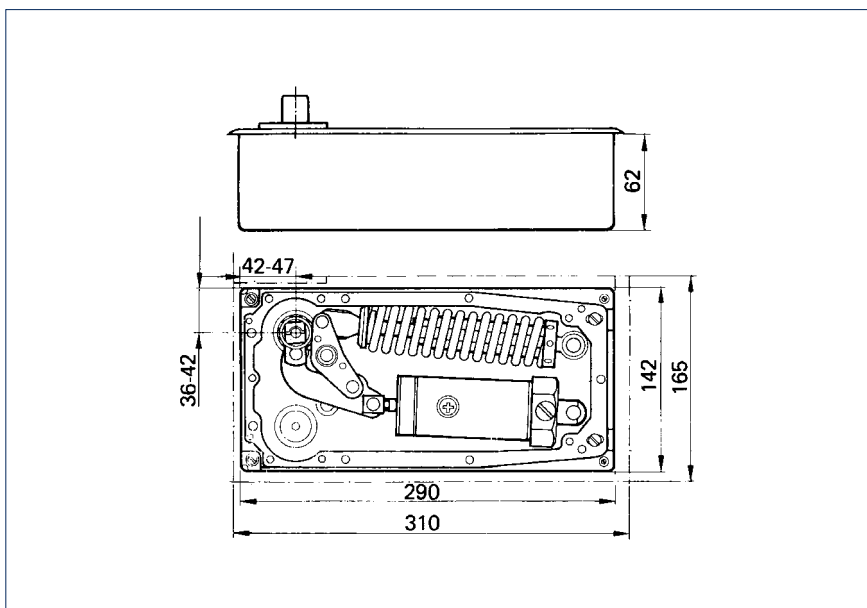


Fig. 12-1 · GEZE floor spring TS 23

¹⁾Two canisters of sealing compound (ID no. 058879) required to fill cavity between closer and cement box

GEZE TS 500 N / TS 550 N / TS 550 AND VARIATIONS

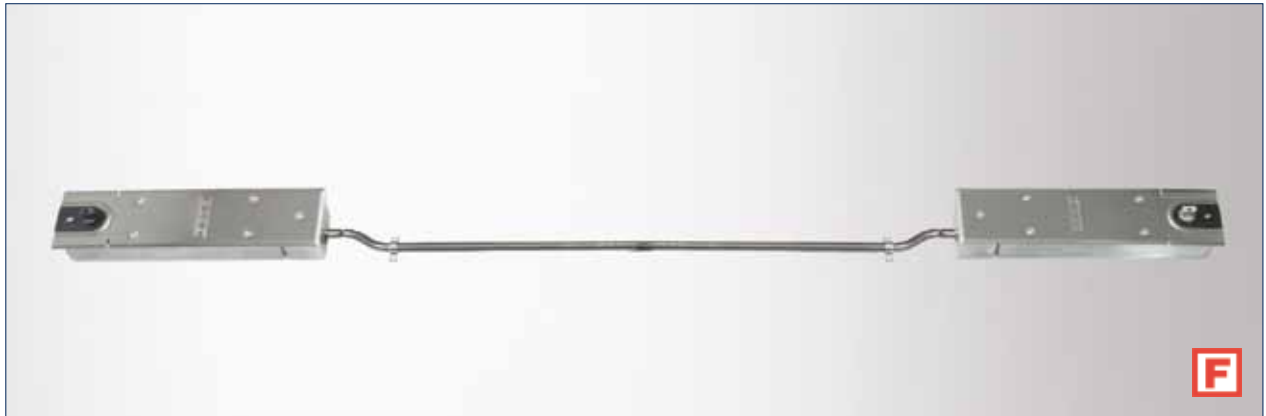
Ordering information

Description	Finish	ID no.	ID no. with special spindle
GEZE TS 23 ¹⁾ size EN 2	DIN left	007188	105803
	DIN right	007191	105804
GEZE TS 23 ¹⁾ size EN 4	DIN left	007189	105815
	DIN right	007192	105816
GEZE TS 23 ¹⁾ size EN 5	DIN left	007190	105817
	DIN right	007193	105818
Accessories			
Pivot lever and guide rail	see page 20 f.		
Pivot bearing	see page 20		
Cover plate	stainless steel	DIN left	012328
		DIN right	012329
	LM, dark bronze	DIN left	000842
		DIN right	000481
	satin brass	DIN left	012446
		DIN right	012455

¹⁾ with hold-open 90°, can be enabled/disabled

GEZE TS 550 IS

Floor spring with integrated door selector for 2-leaf fire and smoke protection doors up to 1400 mm width per leaf



Product features

- According to EN 1154 A and EN 1158
- Closing force adjustable size 3-6
- Closer in only one construction size
- Integrated, concealed door selector
- Closing speed and latching action adjustable
- Safety valve preventing deliberate overloading
- Closing range from approx. 180°
- Large adjustment range: height 6 mm, lateral 10 mm, length 10 mm
- Galvanised cement box

Application range

- For right and left hand closing single-action doors
- For width up to 1400 mm per leaf
- Also suitable for leaves with different widths
- For leaf weights up to 250 kg
- For smoke and fire protection doors with provision for floor springs

Standard version/Scope of delivery

- 1) TS 550 IS fixed leaf complete with flat-tapered spindle and cement box (cover plate not included)
- 2) TS 550 IS moving leaf complete with flat-tapered spindle and cement box (cover plate not included)

The requirement

The standards stipulate that the door closer size (closing force of the closer) must be selected appropriate to the door width. The next highest size must be selected if the structural (door height, door weight) or local conditions (wind influence) make this necessary.

The solution from GEZE

The floor spring TS 550 IS covers several door closer sizes in one housing. These sizes can be adjusted using an adjustment screw.

Closing force	Door leaf width (mm)
Size 3	up to 950
Size 4	over 950 up to 1100
Size 5	over 1100 up to 1250
Size 6	over 1250 up to 1400

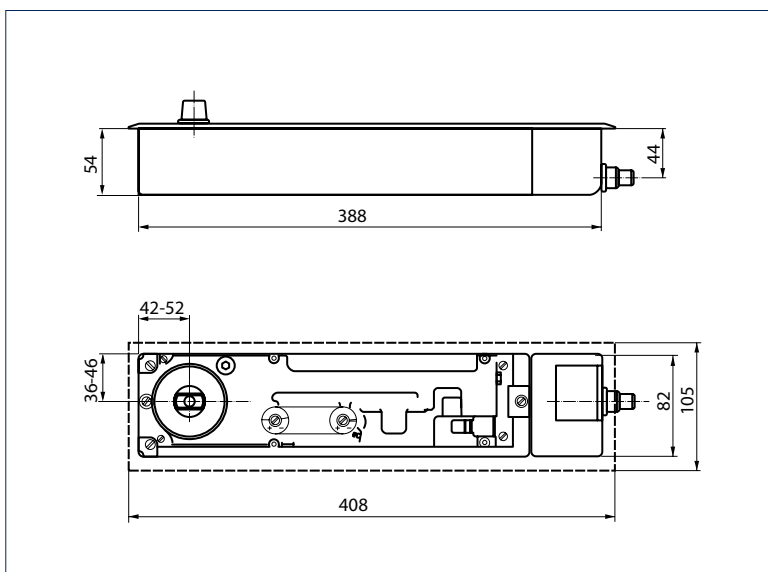


Fig. 14-1 · GEZE floor spring TS 550 IS

GEZE TS 500 N / TS 550 N / TS 550 AND VARIATIONS

Ordering information

Description	Finish	ID no.	
GEZE TS 550 IS moving leaf	DIN left	059522	
	DIN right	059549	
GEZE TS 550 IS fixed leaf	DIN left	059521	
	DIN right	059557	
Accessories			
Pivot lever and guide rail	see page 20 f.		
Cover plate	stainless steel	059756	
Protective steel conduit incl. mounting material		059556	
Toothed spindle extensions ^{1) 2)}	length:		
		5 mm	010337
		8 mm	050930
		10 mm	010338
		13 mm	052170
		15 mm	010347
		20 mm	010372
		25 mm	010373
		28 mm	050931
		30 mm	010374
		35 mm	010377
		40 mm	010378
	45 mm	010381	
	50 mm	010385	

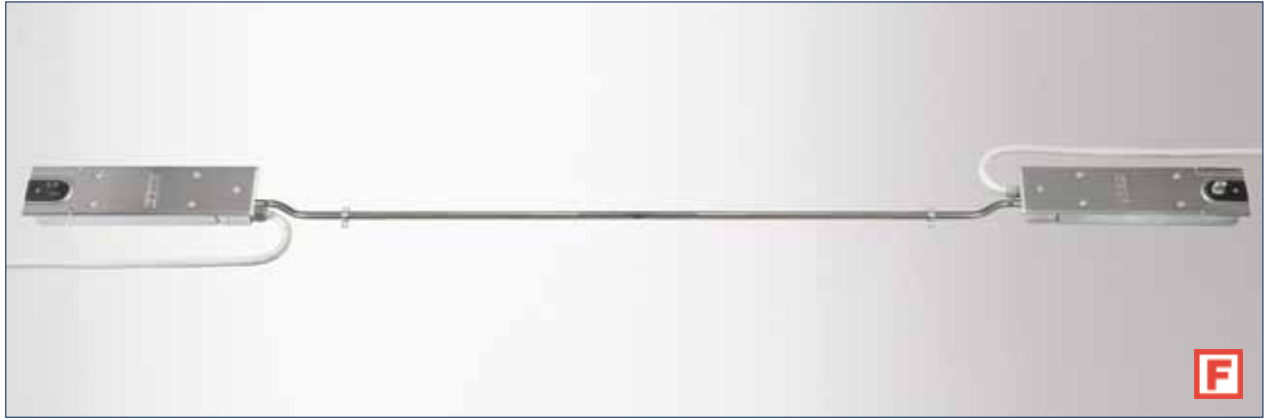
¹⁾ Only for approved fire and smoke protection doors where the use of spindle extensions has been specified in the official approval certificate.

²⁾ The use of an extended spindle may become necessary depending on the mounting position.
The original GEZE 550 IS spindle can be easily unscrewed and replaced by a longer version.



GEZE TS 550 E-IS

Floor spring with electromechanical hold-open and integrated door selector for 2-leaf fire and smoke protection doors up to 1400 mm width per leaf



Product features

- According to EN1154, EN1155 and EN1158
- Closing force adjustable size 3-6
- Closer in only one construction size
- Infinitely variable hold-open (80°-175°) independently adjustable, can be enabled/disabled
- Variable hold-open time for held-open door
- Integrated, concealed door selector
- Closing speed and latching action adjustable
- Safety valve preventing deliberate overloading
- Closing range from approx. 180°
- Large adjustment range: height 6 mm, lateral 10 mm, length 10 mm
- Galvanised cement box

- Plug-in connection cable (approx. 3 m)
- Approved for recognised smoke detection by the institute of civil engineering (DIBt), Berlin

Application range

- For right and left hand closing single-action doors
- For widths up to 1400 mm per leaf
- Also suitable for leaves with different widths
- For leaf weights up to 250 kg
- For smoke and fire protection doors with provision for floor springs

Standard version/Scope of delivery

- 1) TS 550 E-IS fixed leaf complete with flat-tapered spindle, cement box, plug-in connection cable and cable with connector (cover plate not included)

- 2) TS 550 E-IS moving leaf complete with flat-tapered spindle, cement box, plug-in connection cable, cable with connector incl. bowden cable (cover plate not included)

The requirement

The standards stipulate that the door closer size (closing force of the closer) must be selected appropriate to the door width. The next highest size must be selected if the structural (door height, door weight) or local conditions (wind influence) make this necessary.

The solution from GEZE

The floor spring TS 550 E-IS covers several door closer sizes in one housing. These sizes can be adjusted using an adjustment screw.

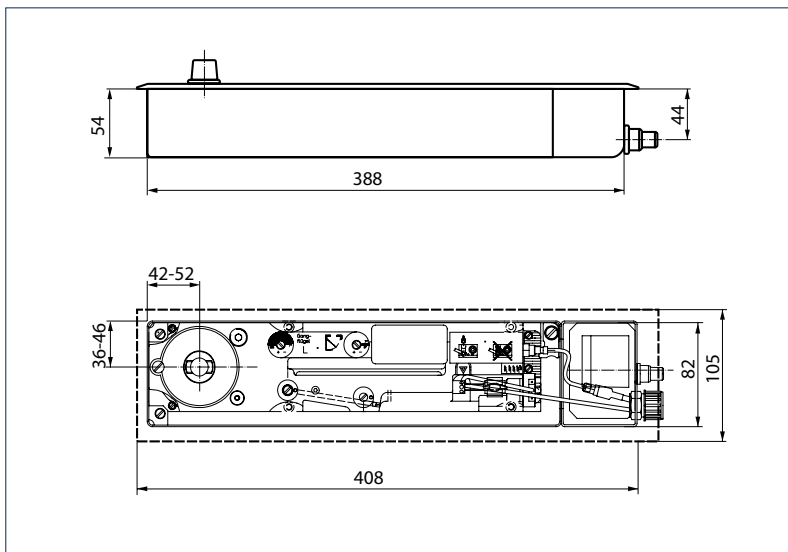


Fig. 16-1 · GEZE floor spring TS 550 E-IS

Closing force	Door leaf width (mm)
Size 3	up to 950
Size 4	over 950 up to 1100
Size 5	over 1100 up to 1250
Size 6	over 1250 up to 1400

GEZE TS 500 N / TS 550 N / TS 550 AND VARIATIONS

Ordering information

Description	Finish	ID no.	
GEZE TS 550 E-IS (operating voltage 24 V DC) moving leaf	DIN left	068625	
	DIN right	068626	
GEZE TS 550 E-IS (operating voltage 24 V DC) fixed leaf	DIN left	068579	
	DIN right	068580	
Accessories			
Pivot lever and guide rail	see page 20 f.		
Cover plate	stainless steel	059756	
Protective steel tube inclusive mounting material		059556	
Protective conduit		063558	
Toothed spindle extensions ^{1) 2)}	length:		
		5 mm	010337
		8 mm	050930
		10 mm	010338
		13 mm	052170
		15 mm	010347
		20 mm	010372
		25 mm	010373
		28 mm	050931
		30 mm	010374
		35 mm	010377
		40 mm	010378
	45 mm	010381	
	50 mm	010385	

¹⁾ Only for approved fire and smoke protection doors where the use of spindle extensions has been specified in the official approval certificate.

²⁾ The use of an extended spindle may become necessary depending on the mounting position.

The original GEZE 550 E-IS spindle can be easily unscrewed and replaced by a longer version.



GEZE TS 550 F-G / E-G / IS-G / E-IS-G

Floor springs with lever and guide rail for doors with hinges up to 1400 mm width per leaf



Produktmerkmale

- According to EN 1154 A / resp. EN 1155 / resp. EN 1158
- Closing force size 3-6
- Closer in only one construction size
- Closing speed and latching action adjustable
- Safety valve preventing deliberate overloading
- Closing range from approx. 180°
- Large adjustment range: height 6 mm, lateral 10 mm, length 10 mm
- Galvanised cement box with overall height of 58 mm
- With special cover plate for a floor level clearance of 9 mm

Application range

- For right and left hand closing single-action doors²⁾
- For widths up to 1400 mm per leaf
- For smoke and fire protection doors with provision for floor springs

For 1-leaf doors

- GEZE TS 550 F-G without hold-open
- GEZE TS 550 E-G¹⁾ with electromechanical hold-open, infinitely variable 80°-150°
Functional description and electrical installation as for TS 550 E

For 2-leaf doors

- GEZE TS 550 IS-G with integrated door selector
- GEZE TS 550 E-IS-G¹⁾ with integrated door selector and electromechanical hold-open on both sides, infinitely variable 80°-150°
Functional description and electrical installation as for TS 550 E-IS

The requirement

The standards stipulate that the door closer size (closing force of the closer) must be selected appropriate to the door width. The next highest size must be selected if the structural (door height, door weight) or local conditions (wind influence) make this necessary.

The solution from GEZE

The floor spring TS 550 G and variations covers several door closer sizes in one housing. These sizes can be adjusted using an adjustment screw.

Closing force	Door leaf width (mm)
Size 3	up to 950
Size 4	over 950 up to 1100
Size 5	over 1100 up to 1250
Size 6	over 1250 up to 1400

¹⁾ Approved for recognised smoke detection by the institute of civil engineering (DIBt), Berlin

²⁾ Installation examples for floor springs with lever and guide rail, surface-mounted to rebated timber door and to flush timber door as well as concealed to rebated timber door and to flush timber door see page 33 f.

GEZE TS 500 N / TS 550 N / TS 550 AND VARIATIONS

Ordering information

Description	Finish	ID no.
GEZE TS 550 F-G ¹⁾	DIN left	075037
	DIN right	075044
GEZE TS 550 E-G ¹⁾	DIN left	075053
	DIN right	075054
GEZE TS 550 IS-G moving leaf ¹⁾	DIN left	075069
	DIN right	075070
GEZE TS 550 IS-G fixed leaf ¹⁾	DIN left	075098
	DIN right	075099
GEZE TS 550 E-IS-G moving leaf ¹⁾	DIN left	075108
	DIN right	075109
GEZE TS 550 E-IS-G fixed leaf ¹⁾	DIN left	075110
	DIN right	075111
Accessories		
Guide rail, surface-mounted, with lever	silver	072848
	silver, with 25 mm spindle extension	072850
	RAL colour, with 25 mm spindle extension	080623
Guide rail, concealed, with lever	silver	072757
	silver, with 25 mm spindle extension	072847
	RAL colour, with 25 mm spindle extension	080622
Special cover plate for 9 mm floor level clearance for TS 550 F-G and TS 550 E-G	stainless steel	029429
Special cover plate for 9 mm floor level clearance for TS 550 IS-G and TS 550 E-IS-G	stainless steel	029432
Protective conduit for TS 550 E-G and TS 550 E-IS-G		063558
Protective steel tube inclusive mounting material for TS 550 IS-G and TS 550 E-IS-G		059556

¹⁾ without guide rail, without lever, with cement box 58 mm



TS 550 E-IS-G

GEZE Pivot bearing

Pivot bearing with flat taper

see Fig. 20-1

Version	ID no.
Pivot bearing GEZE TS 137 b	009788

70 x 70 mm with square spindle
Max. door weight 250 kg

Pivot bearing with square socket

Version	ID no.
Pivot bearing GEZE TS 32 b	010556

70 x 70 mm with square spindle
Max. door weight 250 kg

Both pivot bearings are available with 5 mm extended spindle.

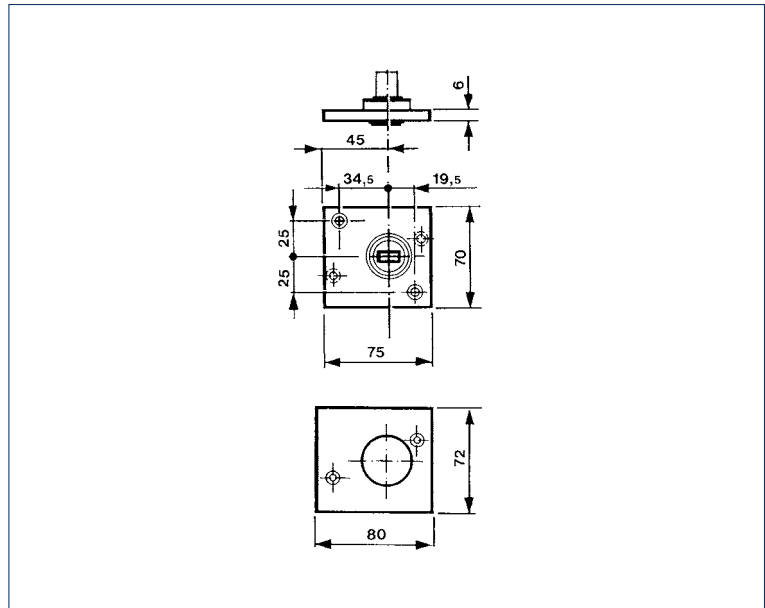


Fig. 20-1

Cover plate

Version	ID no.
Cover plate for pivot bearing	012846

80 x 72 mm with square spindle
with square socket / flat taper
Material: stainless steel

GEZE Door shoes and upper pivots for single action doors

Door shoe model DM

see Fig. 20-2

For bolting on.
Material: steel, drop-forged and galvanised.
With flat taper for almost every door system
(on request).

Version	ID no.
Adapted to profile system	
with flat taper / with square socket	001068
Adaption provided by customer	
with square socket	037631
with flat taper	037630



Door shoe model DM

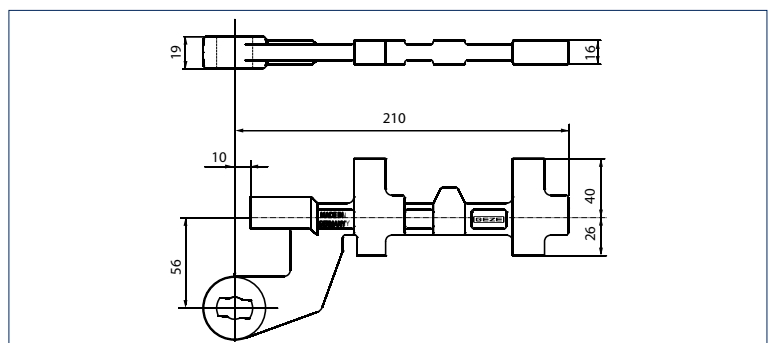


Fig. 20-2

GEZE TS 500 N / TS 550 N / TS 550 AND VARIATIONS

GEZE Door shoes and upper pivots for single action doors

Door shoe model DB

see Fig. 21-1

For screw attachment to rebated and flush timber doors or aluminium doors.

For welding on steel doors.

Material: steel, drop-forged and galvanised.

Version	ID no.
with flat taper	044579
with square socket	037581



Door shoe and upper pivot model DB

Upper pivot model DB

see Fig. 21-2

Material: steel, drop-forged and galvanised.

Upper pivot pin length 45 mm.

Combination	ID no.
a	044676
b DIN left	044697
b DIN right	044680
c	044787

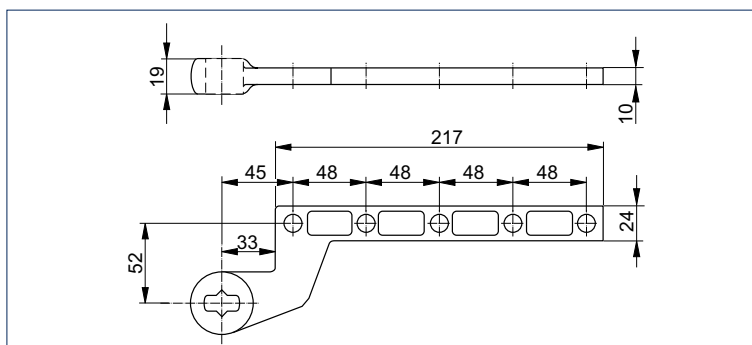


Fig. 21-1

Do not use any ID No. with upper pivot pin lengths 41 or 49 mm in combination a,b,c

Installation dimensions	Combination		
	a	b	c
Dimension =	S	S	S
Pivot pin 41 mm without spacer ring	41	28,5	16
Pivot pin 45 mm without spacer ring	45	32,5	20
Pivot pin 49 mm without spacer ring	49	36,5	24

If combination and upper pivot pin length are not specified, combination a with 45 mm upper pivot pin will be supplied.

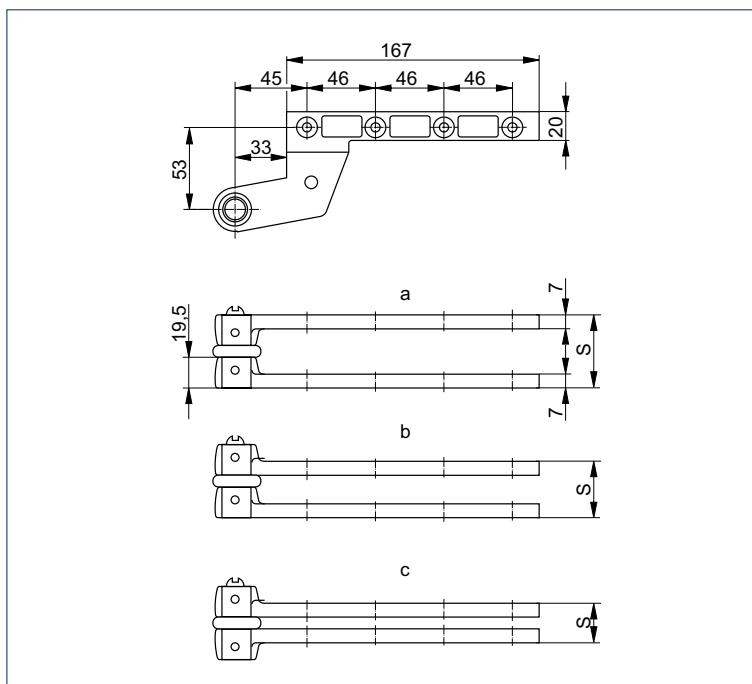


Fig. 21-2

GEZE TS 500 N / TS 550 N / TS 550 AND VARIATIONS

GEZE Door shoes and upper pivots for single action doors

Door shoe model EK

see Fig. 22-1

For welding to steel doors.

Material: steel, drop-forged and galvanised.

Version	ID no.
with flat taper	008269
with square socket	006696



Door shoe model EK



Upper pivot model EK

Upper pivot model EK

see Fig. 22-2

Material: precision punched component made of drawn steel, phosphated.

Upper pivot pin length 45 mm

Combination	ID no.
a	006719
b DIN left	000889
b DIN right	000890
c	000891

Do not use any ID No. with upper pivot pin lengths 41 or 49 mm in combination a,b,c

Installation dimensions	Combination		
	a	b	c
Dimension =	S	S	S
Pivot pin 41 mm without spacer ring	41	27	13
Pivot pin 45 mm without spacer ring	45	31	17
Pivot pin 49 mm without spacer ring	49	35	21

If combination and upper pivot pin length are not specified, combination a with 45 mm upper pivot pin will be supplied.

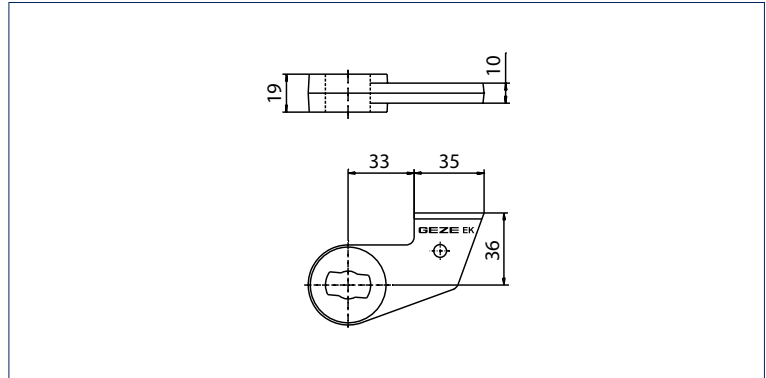


Fig. 22-1

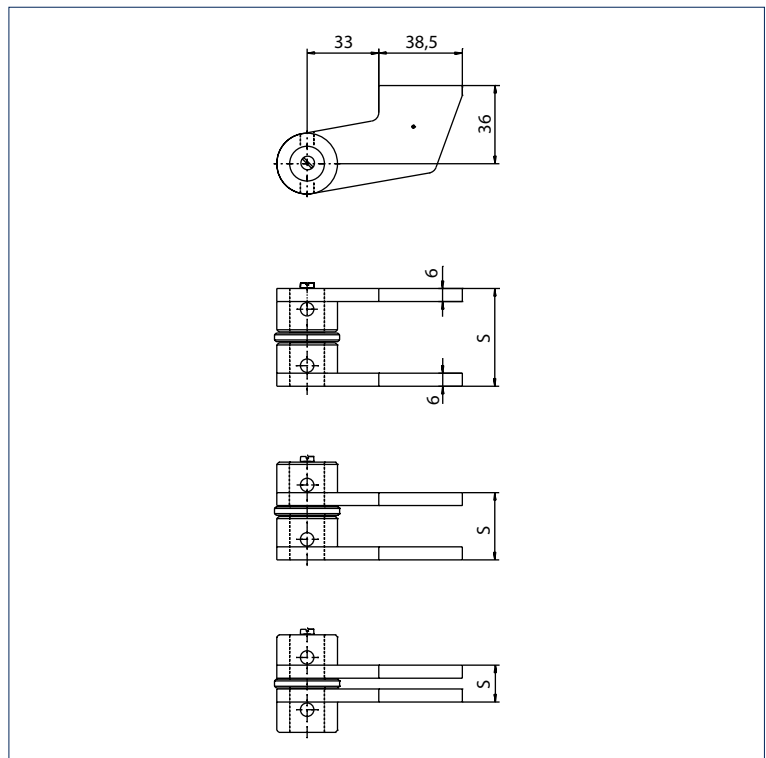


Fig. 22-2

GEZE TS 500 N / TS 550 N / TS 550 AND VARIATIONS

GEZE Door shoes and upper pivot for single action doors

Door shoe model FK

see Fig. 23-1

For welding on steel doors.
Material: steel, drop-forged

Version	ID no.
with flat taper	008270
with square socket	006699



Door shoe model FK



Upper pivot model FK

Upper pivot model FK

see Fig. 23-2

Material: steel, drop-forged.
Upper pivot pin length 45 mm (standard)

Combination	ID no.
a	006724
b DIN left	000895
b DIN right	000896
c	000897

Do not use any ID No. with upper pivot pin lengths 41 or 49 mm in combination a,b,c

Installation dimensions	Combination		
	a	b	c
Dimension =	S	S	S
Pivot pin 41 mm without spacer ring	41	28	15
Pivot pin 45 mm without spacer ring	45	32	19
Pivot pin 49 mm without spacer ring	49	36	23

If combination and upper pivot pin length are not specified, combination a with 45 mm upper pivot pin will be supplied.

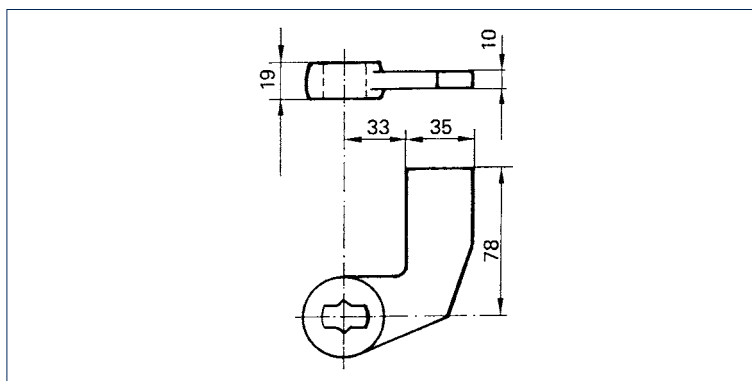


Fig. 23-1

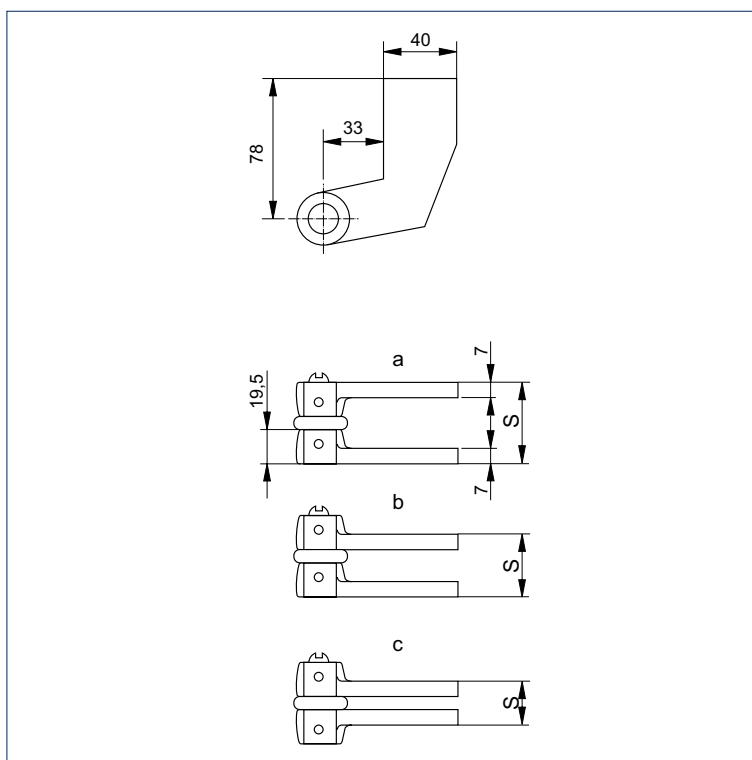


Fig. 23-2

GEZE Cover caps

Flush doors

Cover caps for door shoes model DM, DB, EK, FK

see Fig. 24-1

Material	ID no. DIN left	ID no. DIN right
stainless steel effect	137586	137577
LM anodised EV1	006794	006798



Cover cap

Cover caps for upper pivots model DB, EK, FK

see Fig. 24-2

Material	ID no.
stainless steel effect	137640
LM anodised EV1	001090

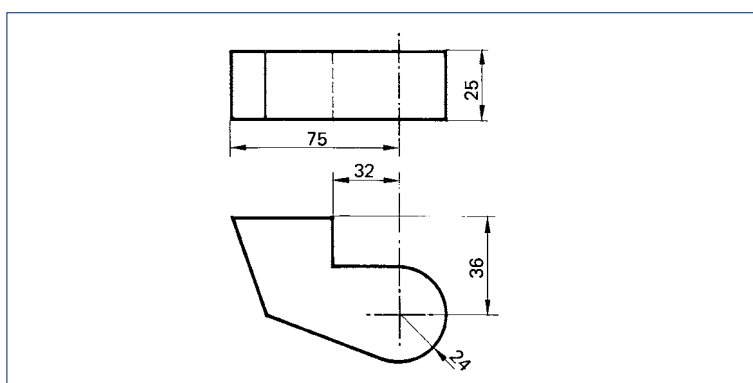


Fig. 24-1

Rebated doors

Cover caps for door shoes model DM, DB, EK, FK¹⁾

Material	ID no. DIN left	ID no. DIN right
stainless steel effect	137618	137617
LM anodised EV1	045196	045155

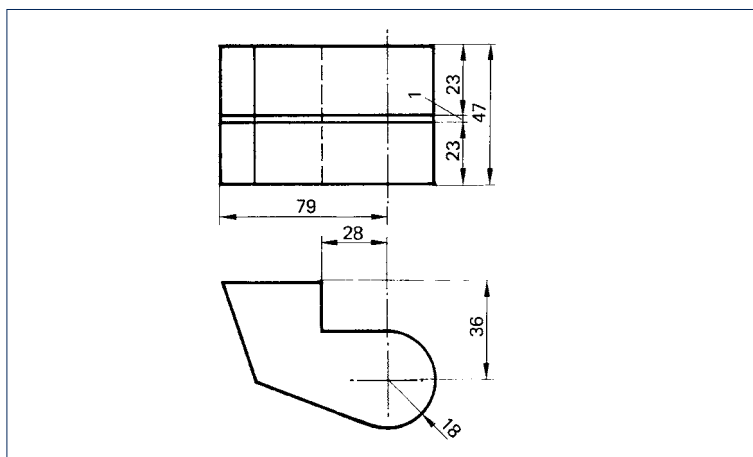


Fig. 24-2

¹⁾The cover caps for door rail and the lower part of the hinge have been shortened by 14 mm for the installation into rebated doors.

GEZE TS 500 N / TS 550 N / TS 550 AND VARIATIONS

GEZE Door shoes for double action doors

Door shoe model CM

see Fig. 25-1

For aluminium doors.

Material: steel, drop-forged and galvanised

For almost every door system
(on request)



Door shoe model C



Door shoe model S

Version	ID no.
with flat taper	001067

Door shoe model C

see Fig. 25-2

For metal and timber doors.

Material: steel, drop-forged

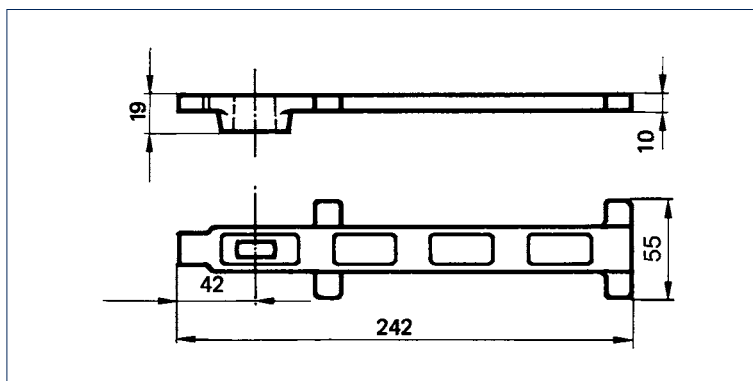


Fig. 25-1

Version	ID no.
with flat taper	007432

Door shoe model S

see Fig. 10-3

For welding on steel doors.

Material: steel

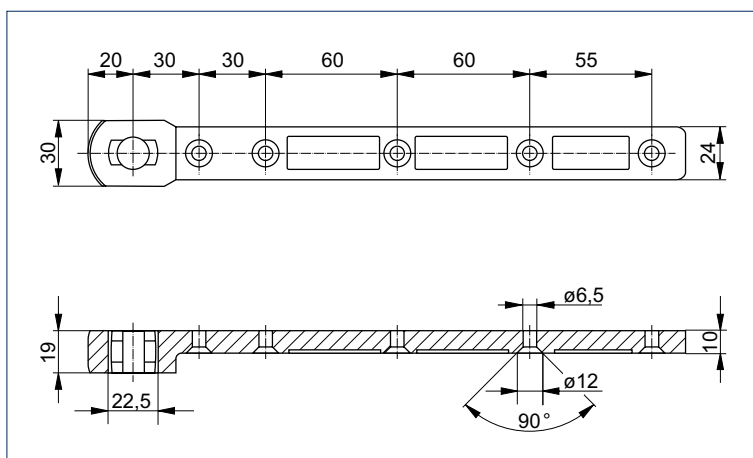


Fig. 25-2

Version	ID no.
with flat taper	007434

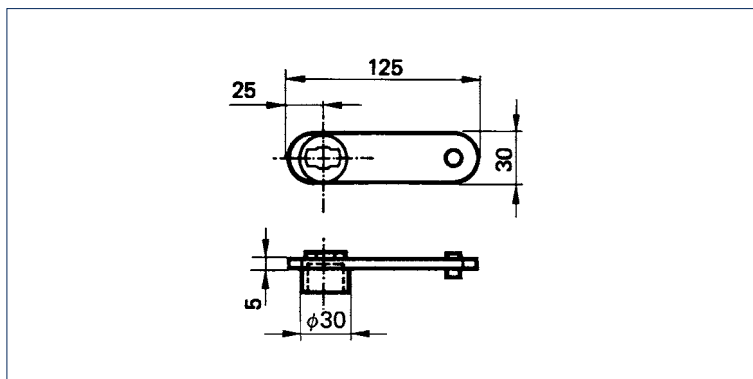


Fig. 10-3

GEZE TS 500 N / TS 550 N / TS 550 AND VARIATIONS

GEZE Upper pivots for double action doors

Upper pivot model B

see Fig. 26-1

suitable for door shoe model CM, C and S

Description	Pivot pin	ID no.
Adjustable upper pivot model B	43 mm	006371
	55 mm	000108
	65 mm	000903



Upper pivot model B



Upper pivot model C

Upper pivot model C

see Fig. 26-2

suitable for door shoe model CM, C and S

Description	Pivot pin	ID no.
Adjustable upper pivot model C	43 mm	006666
	55 mm	000905
	65 mm	000904

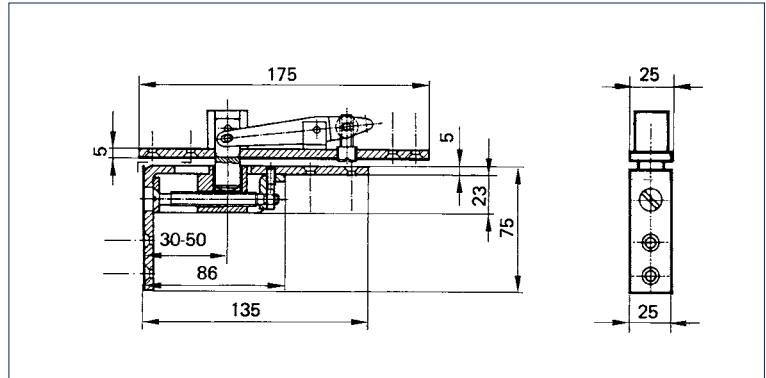


Fig. 26-1

Cover plate for top of upper pivots model B and C

Version	ID no.
LM satin	006375
LM anodised EV1	006376
LM anodised dark bronze	000876

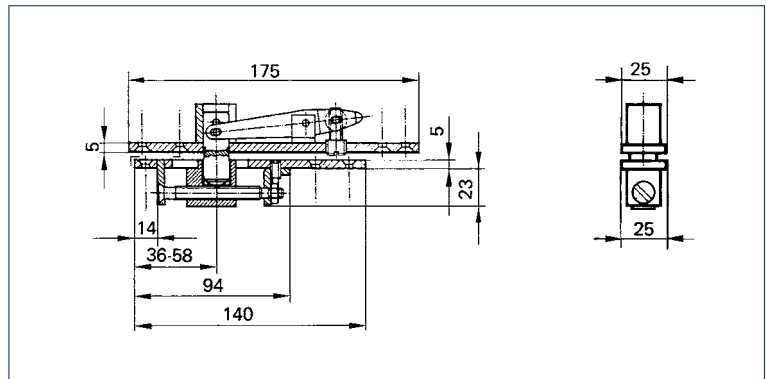


Fig. 26-2

Front plate for bottom of upper pivot model B

Version	ID no.
LM satin	006667
LM anodised EV1	006669
LM anodised dark bronze	000878

GEZE TS 500 N / TS 550 N / TS 550 AND VARIATIONS

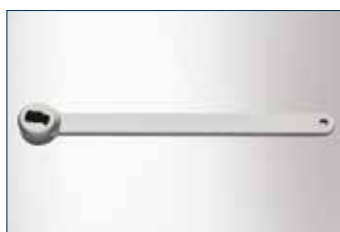
GEZE Pivot lever and guide rails

Pivot lever

see Fig. 27-1

Material: steel, galvanised
for mounting on doors with hinges

Type	Colour	ID no.
with flat taper	silver	056107
	dark bronze	056108
with square socket	silver	059599
	dark bronze	059600



Pivot lever



Guide rail

Guide rail

see Fig. 27-2

Material	Colour	ID no.
Aluminium	silver	056109
	dark bronze	056110

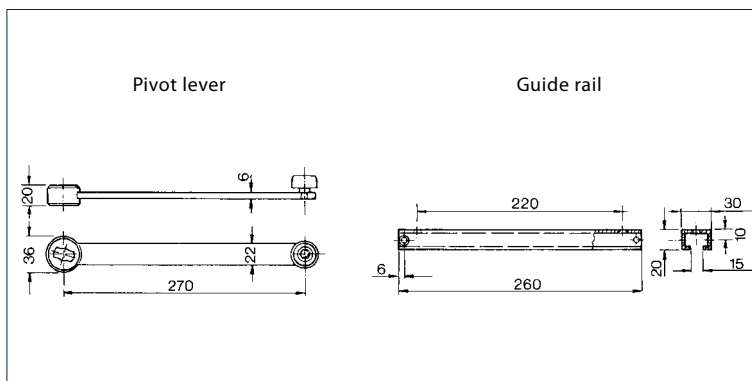
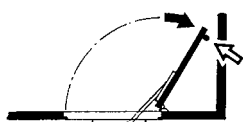


Fig. 27-1

Use door stop
for max. opening.
Installation layout,
see Fig. 27-2



Drawing	Installation	Angle
3	16 mm overlap	
	rebated door	115°
	flush door	135°
3A	rebated door	115°
	flush door	135°
4A	10 mm hinge distance	
	rebated door	
	39 mm leaf thickness	135°
	70 mm leaf thickness	115°
	flush door	
	39 mm leaf thickness	129°
	70 mm leaf thickness	102°
4	rebated door	
	39 mm leaf thickness	125°
	70 mm leaf thickness	102°
	flush door	
	39 mm leaf thickness	113°
	70 mm leaf thickness	92°

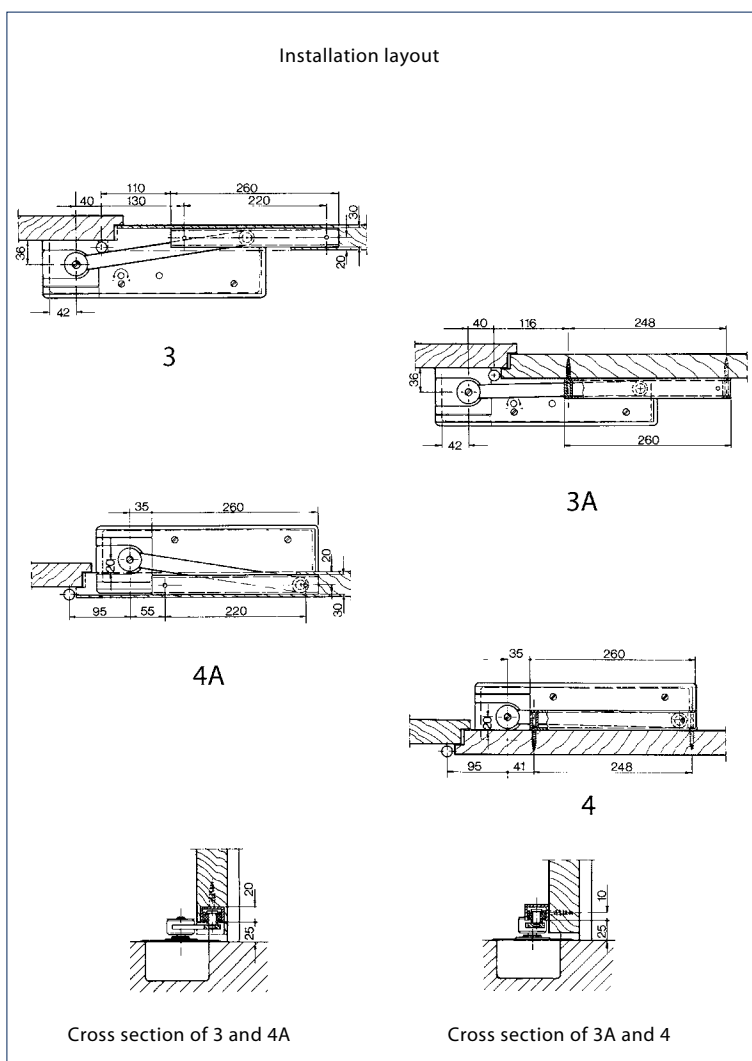


Fig. 27-2

Installation examples

Standard installation

Example showing the installation of a door rail, upper pivot, and floor spring GEZE TS 500 NV to a single action door (aluminium)

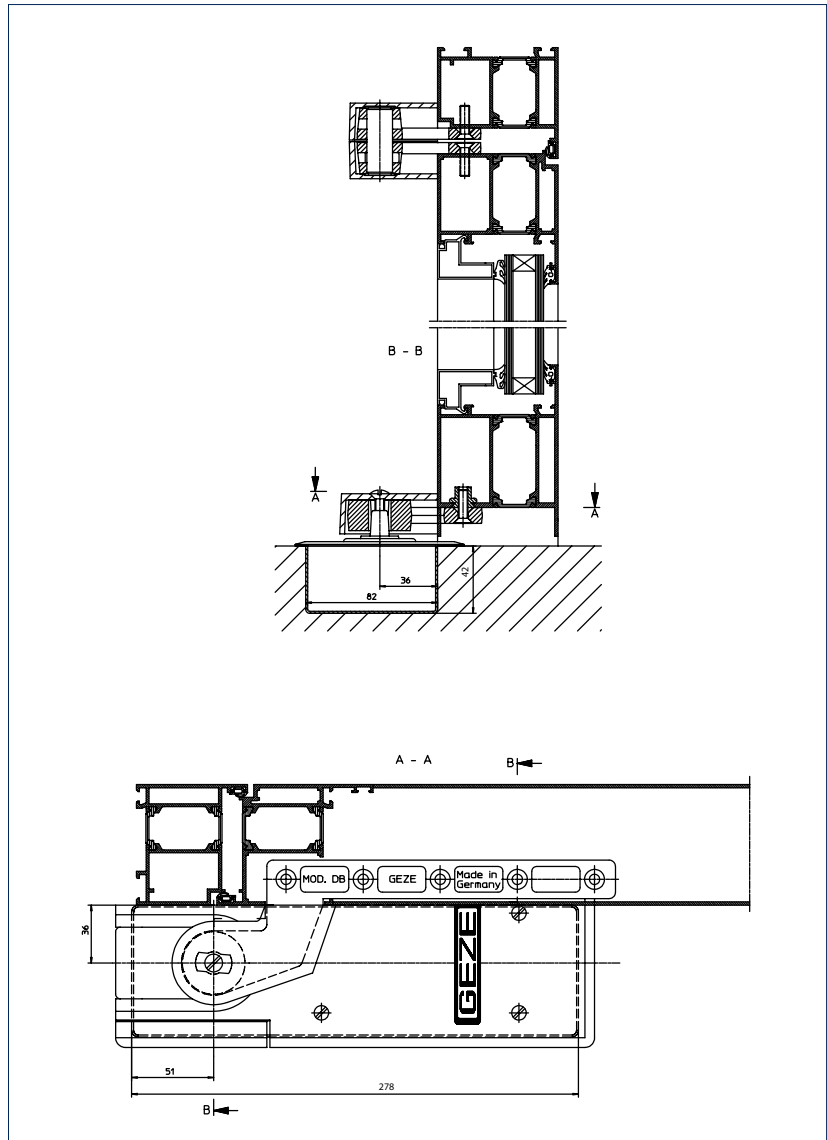


Fig. 28-1 · Standard installation of GEZE TS 500 NV to a single action door

Door rail for single action doors

Model	S	H
DM	16 mm	27 mm
DB, EK, FK	10 mm	24 mm

If spindle extensions are used, the installation dimension for height "H" is increased by the length of the spindle extension.

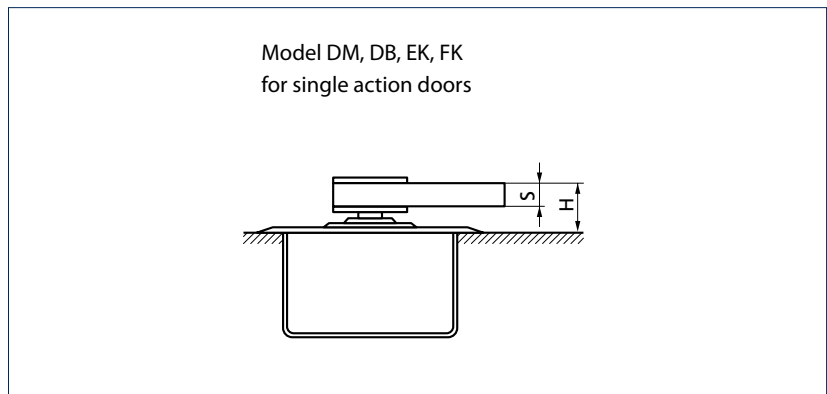


Fig. 28-2 · Door rail for single action doors

GEZE TS 500 N / TS 550 N / TS 550 AND VARIATIONS

Installation examples

Standard installation

Example showing the installation of a door rail, upper pivot, and floor spring GEZE TS 550 NV to a single action door (aluminium)

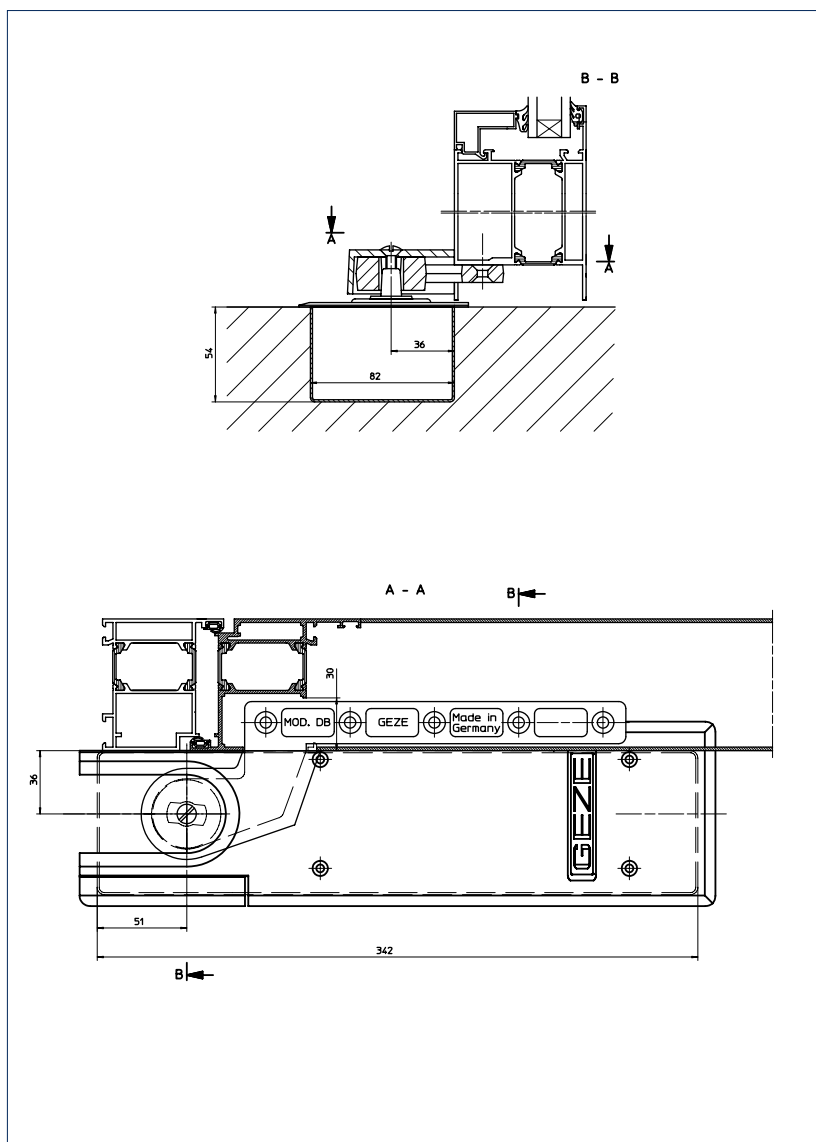


Fig. 29-1 · Standard installation of GEZE TS 550 NV to a single action door

Guide rail for single action doors

Model	S	H
DM	16 mm	27 mm
DB, EK, FK	10 mm	24 mm

If spindle extensions are used, the installation dimension for height "H" is increased by the length of the spindle extension.

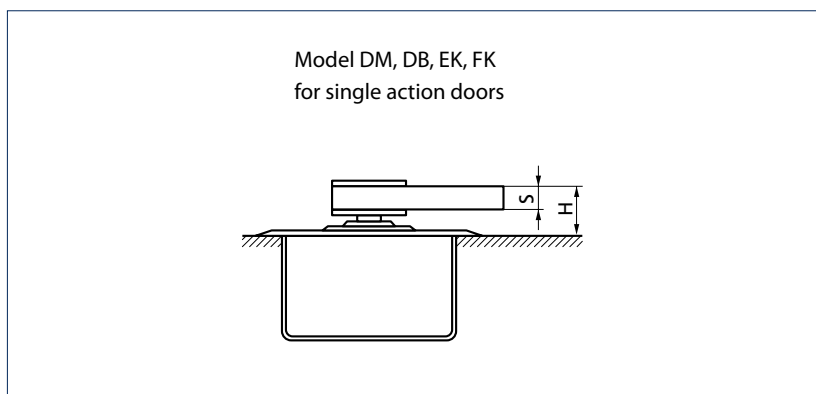


Fig. 29-2 · Guide rail for single action doors

Installation examples

Standard installation

Example showing the installation of a door rail, upper pivot and floor spring GEZE TS 500 NV and GEZE TS 550 NV to a double action door

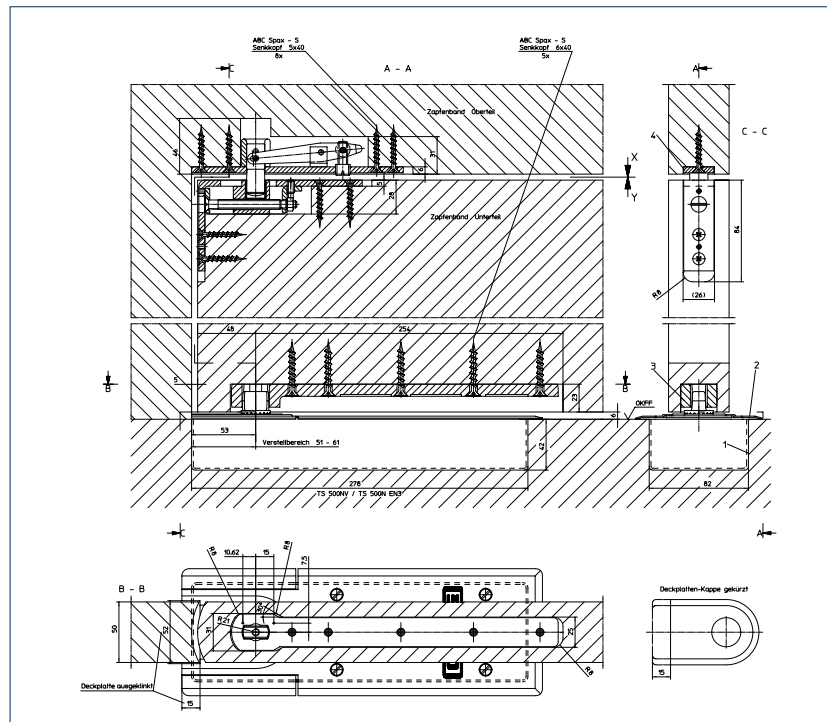


Fig. 30-1 · Standard installation of GEZE TS 500 NV to a double action door

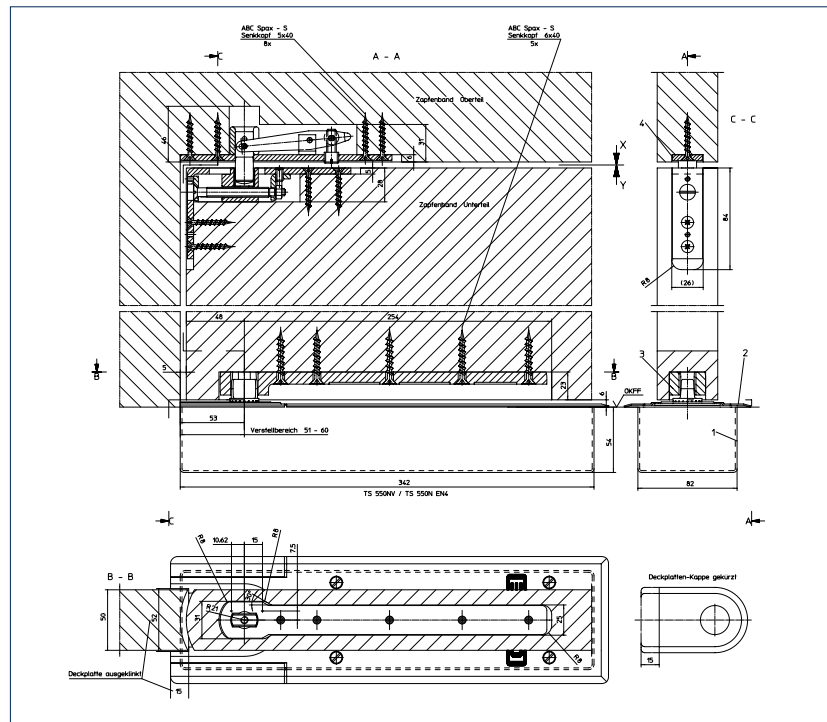


Fig. 30-2 · Standard installation of GEZE TS 550 NV to a double action door

Guide rail

Model	S	H
CM	19 mm	29 mm
C	19 mm	29 mm

If spindle extensions are used, the installation dimension for height "H" is increased by the length of the spindle extension.

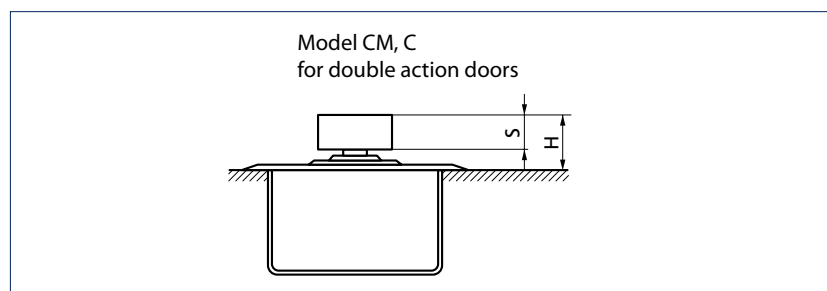


Fig. 30-3 · Guide rail for double action doors

GEZE TS 500 N / TS 550 N / TS 550 AND VARIATIONS

Installation examples

Standard installation

Example showing the installation of a door rail, upper pivot and floor spring GEZE TS 550 E to a single action door

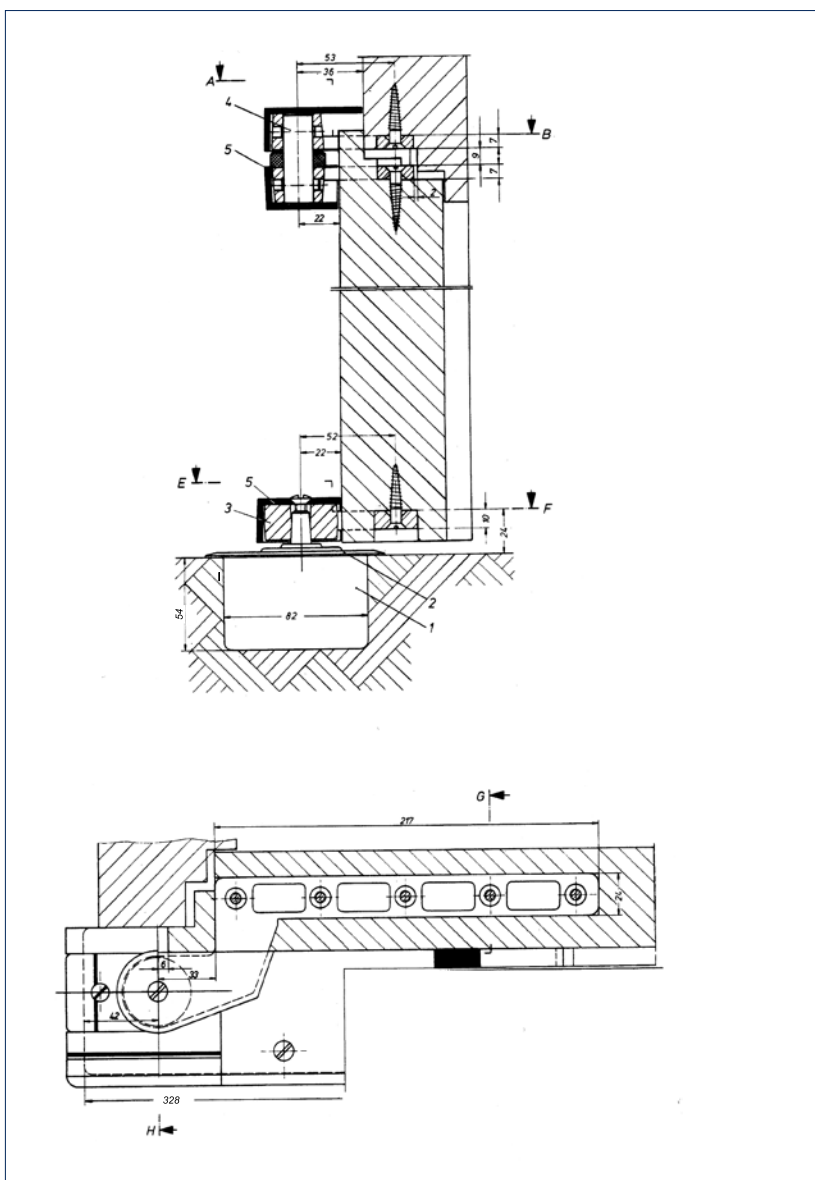


Fig. 31-1 · Standard installation of GEZE TS 550 E to a single action door

Guide rail

Model	S	H
DM	16 mm	27 mm
DB, EK, FK	10 mm	24 mm

If spindle extensions are used, the installation dimension for height "H" is increased by the length of the spindle extension.

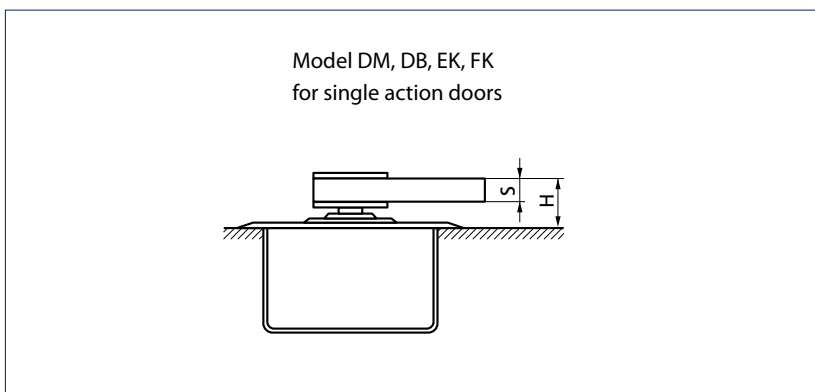


Fig. 31-2 · Guide rail for single action doors

TS 500 N / TS 550 N /
TS 550 and variations
Floor springs

Installation examples

Standard installation

Example showing the installation of a door rail, upper pivot and floor spring GEZE TS 550 IS (GEZE TS 550 E-IS) to a single action door

Guide rail

Model	S	H
DM	16 mm	27 mm
DB, EK, FK	10 mm	24 mm

If spindle extensions are used, the installation dimension for height "H" is increased by the length of the spindle extension.

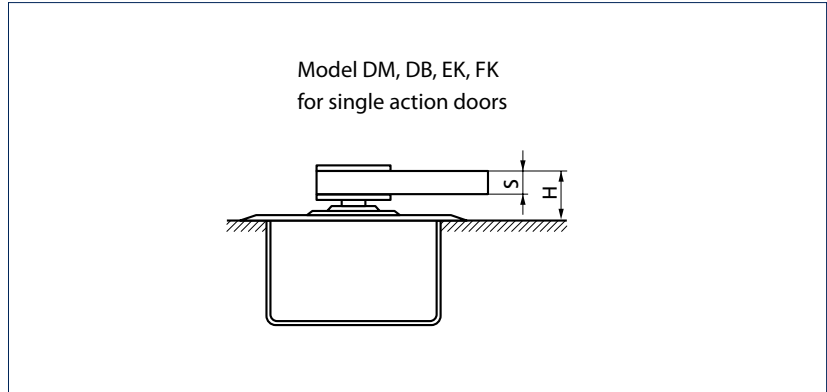


Fig. 32-1 · Guide rail for single action doors

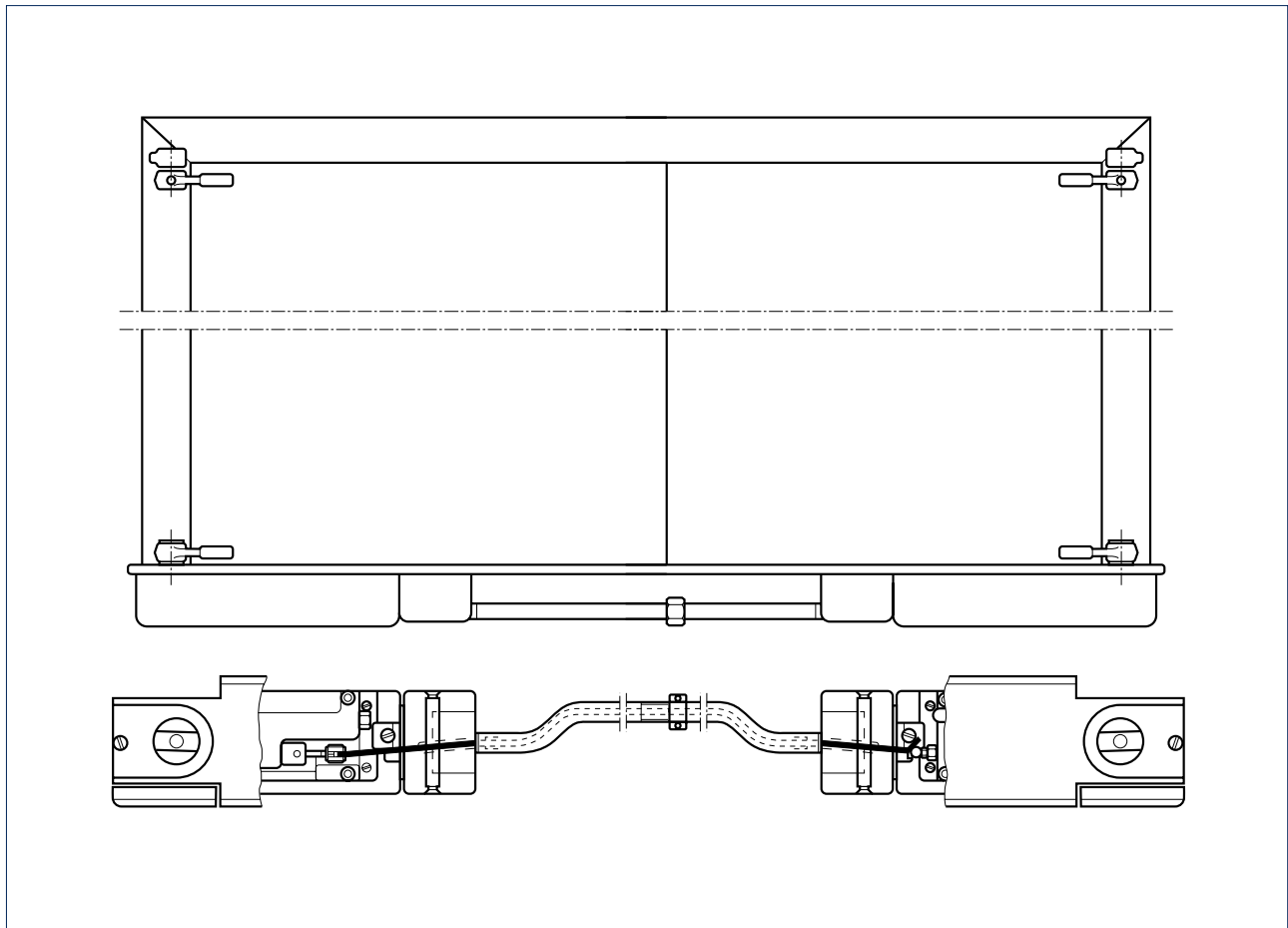


Fig. 32-2 · Standard installation of GEZE TS 550 IS / TS 550 E-IS to a single action door

GEZE TS 500 N / TS 550 N / TS 550 AND VARIATIONS

Floor spring with lever and guide rail (surface-mounted) for doors with hinges

Rebated timber door ¹⁾

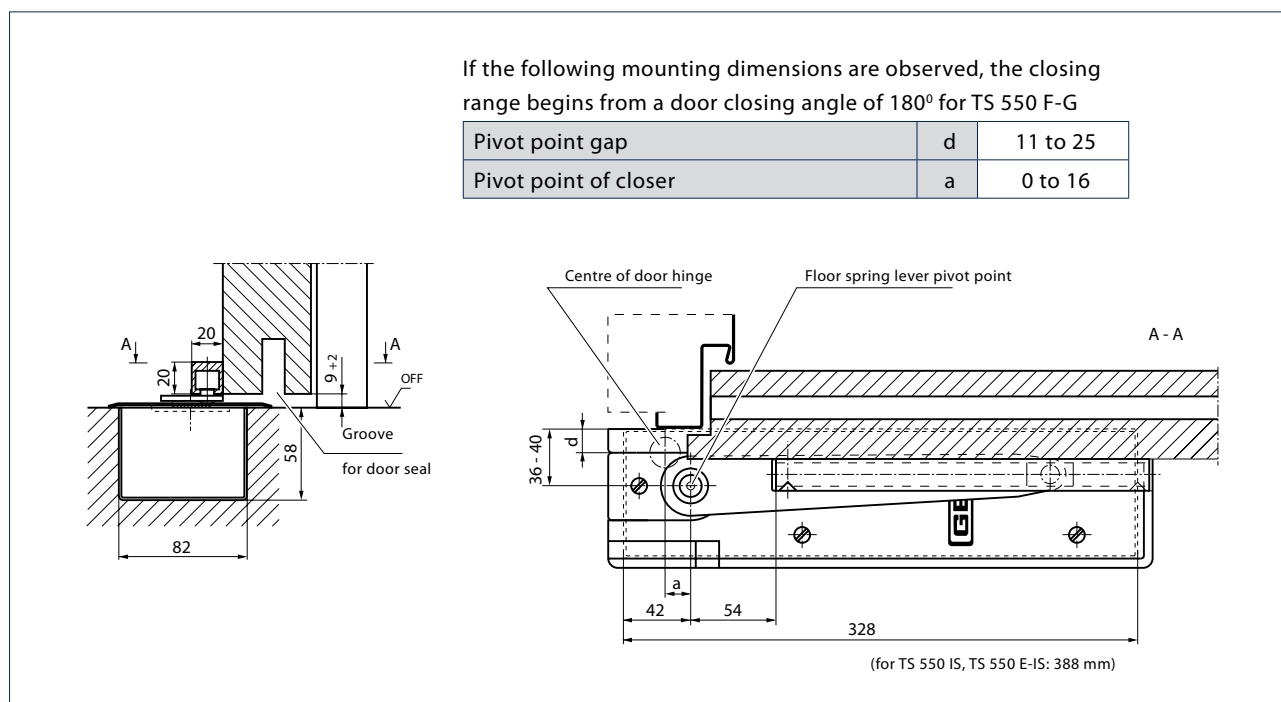


Fig. 33-1 · Installation example: floor spring with lever and guide rail (surface-mounted) to a rebated timber door

Flush timber door ¹⁾

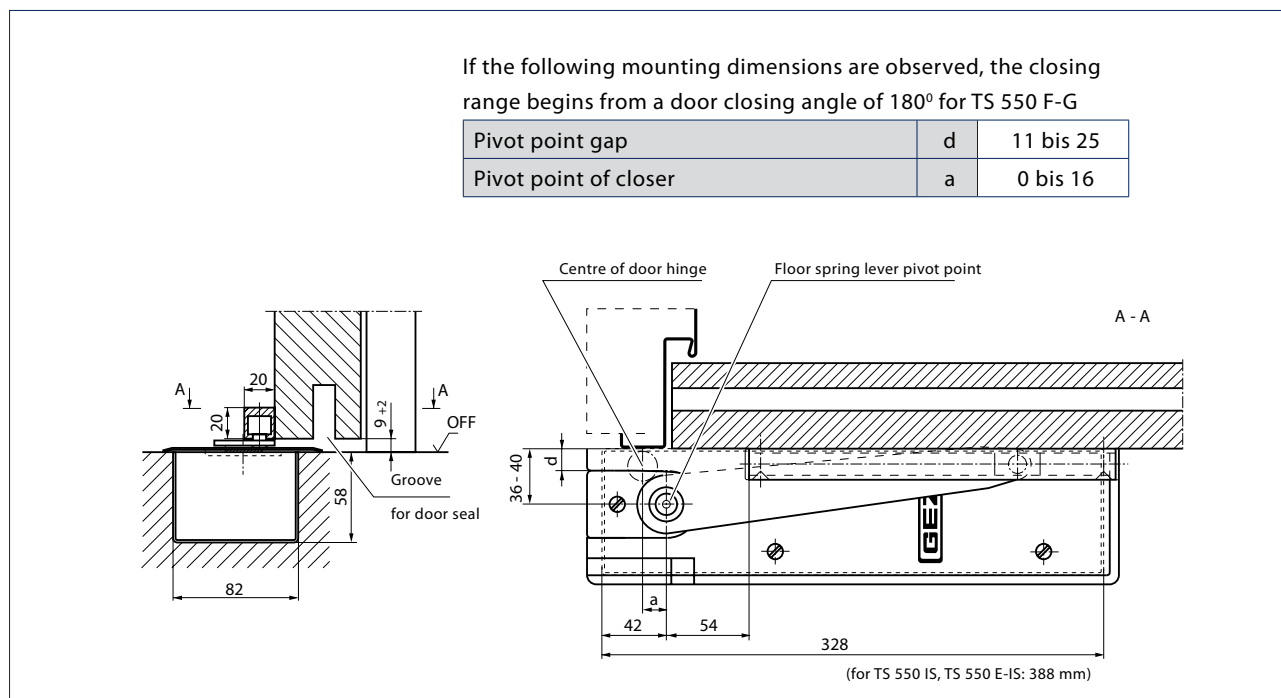


Fig. 33-2 · Installation example: floor spring with lever and guide rail (surface-mounted) to a flush timber door

¹⁾ Installation examples / vertical sections and plan views DIN left shown in illustration (Reversed for DIN right)

GEZE TS 500 N / TS 550 N / TS 550 AND VARIATIONS

Floor spring with lever and guide rail (concealed) for doors with hinges

Rebated timber door ¹⁾

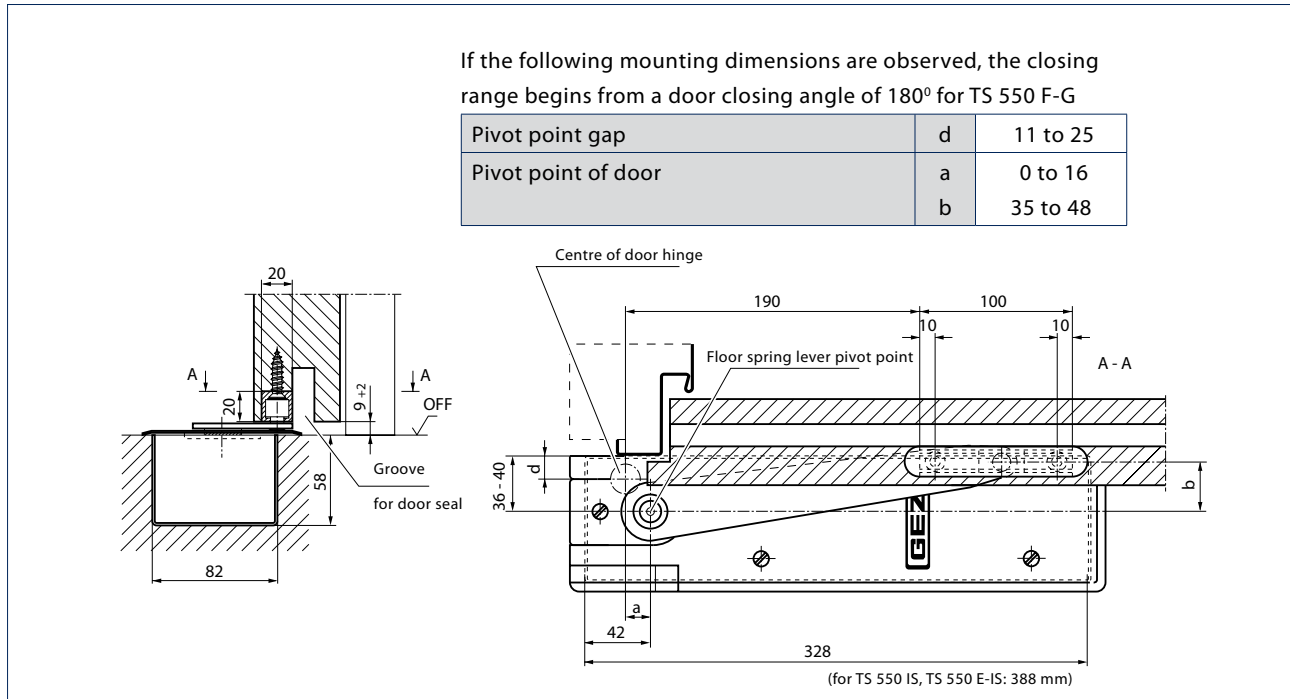


Fig. 34-1 · Installation example: floor spring with lever and guide rail (concealed) to a rebated timber door

Flush timber door ¹⁾

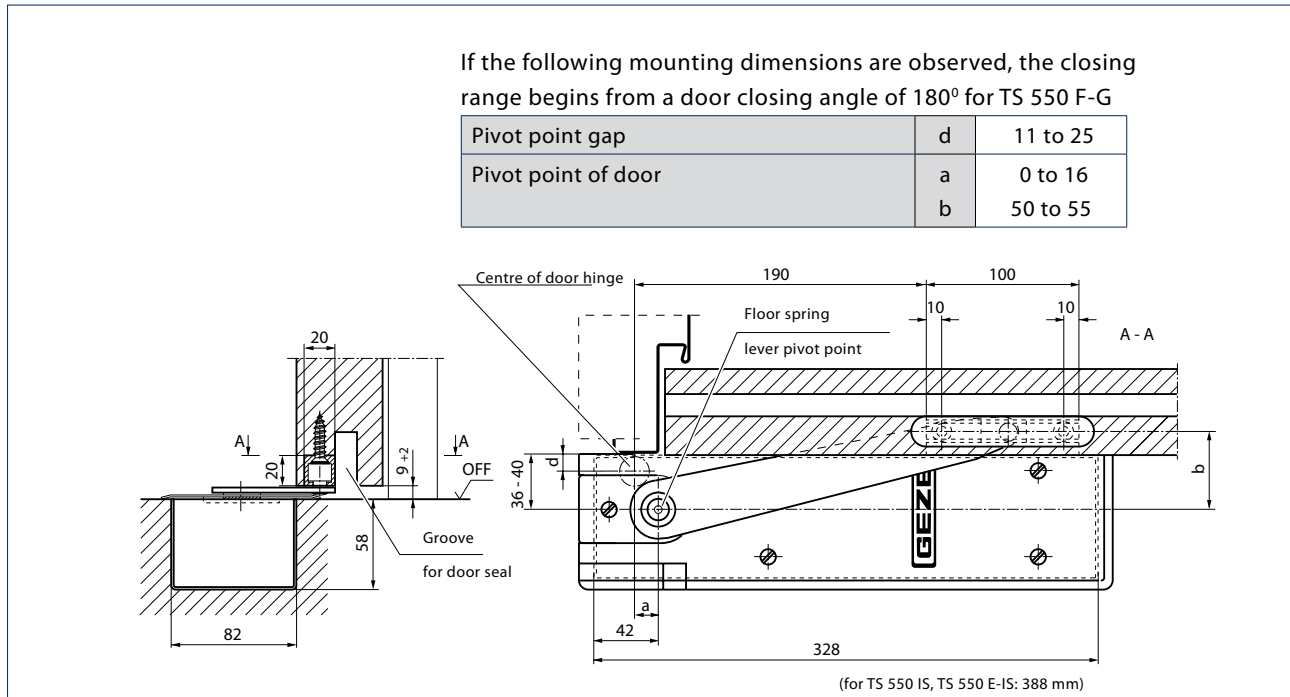


Fig. 34-2 · Installation example: floor spring with lever and guide rail (concealed) to a flush timber door

¹⁾ Installation examples / vertical sections and plan views DIN left shown in illustration (Reversed for DIN right)

GEZE TS 500 N / TS 550 N / TS 550 AND VARIATIONS

Electrical installation

The floor springs with electromechanical hold-open must be connected to a power supply to allow the door to be held open.

Electrical data

- Operating voltage 24 V DC
- Voltage tolerances +10% -15%
- Max. residual ripple 20%
- Connected load 110 mA (GEZE TS 550 E / TS 550 E-G)
- Connected load 220 mA (GEZE TS 550 E-IS / TS 550 E-IS-G)

Function

- Voltage applied to closer = door held open
- No voltage applied or switched off = door not held open, door closes automatically

The door can be closed manually at any time regardless of whether or not voltage is being applied.

If a power failure occurs or the closer is electrically tripped, the closer must be "tensioned" again.

To allow this, the door must close with back check at least once. The closer can then be held open again. This effect only occurs in the case of a power failure or electrical tripping, and not if the door is closed manually whereby the closer can be actuated in the same way as the standard TS 550 with mechanical hold-open.

Power supply cable

The power supply cable should be laid to a junction box next to the door closer. The cable is included in the package and should be installed in a protective conduit which is available as an accessory.

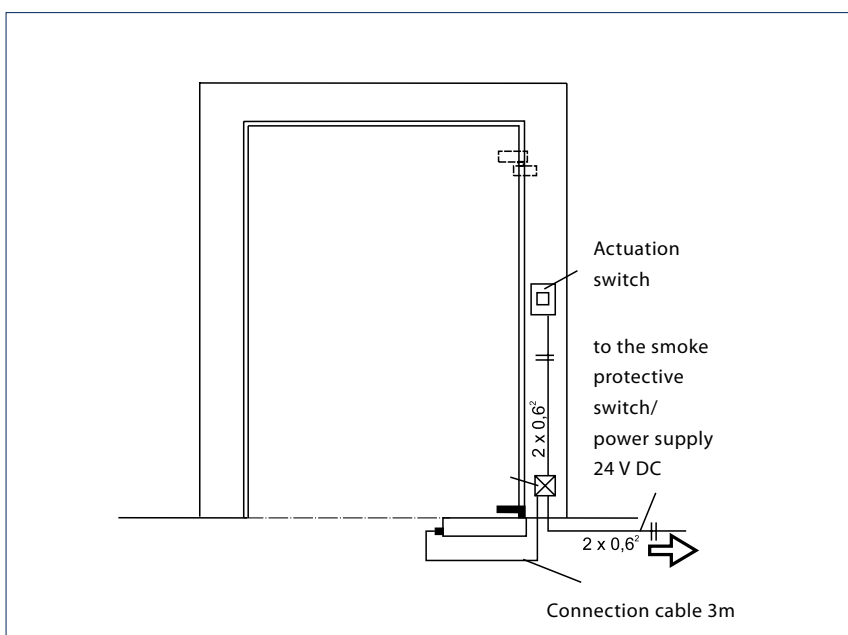


Fig. 35-1 · Electrical installation GEZE TS 550 E / TS 550 E-G

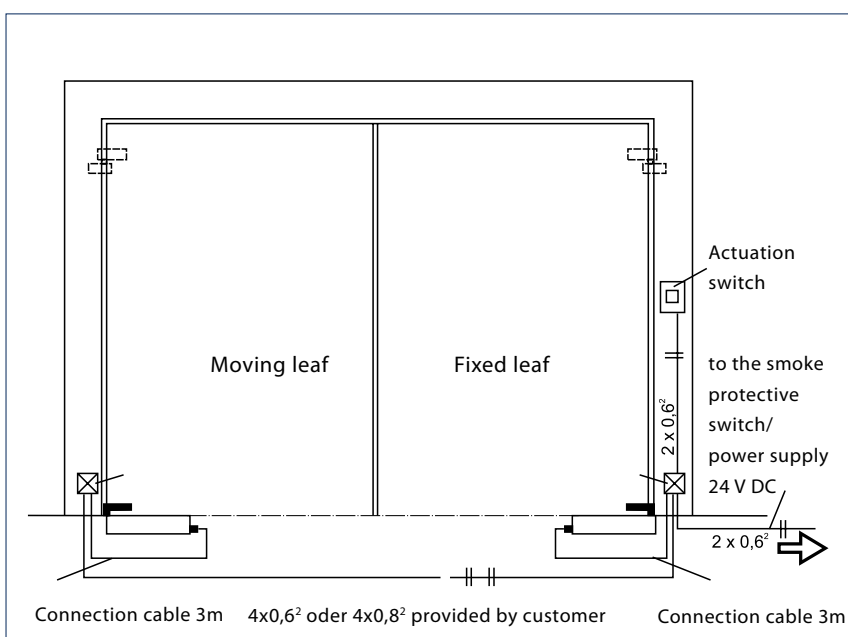


Fig. 35-2 · Electrical installation GEZE TS 550 E-IS / TS 550 E-IS-G

GEZE TS 500 N / TS 550 N / TS 550 AND VARIATIONS

References



GEZE Leonberg, Germany



Augustinum, Stuttgart, Germany

You will find more product information in the relevant brochures, see ID numbers.

Door technology

01	Overhead door closers ID 091593, ID 091594
02	Hold-open systems ID 091593, ID 091594
03	Integrated door closers ID 091609
04	Floor springs ID 091607
05	Sliding door gear systems and linear guides ID 123605, ID 008770, ID 000586

Automatic door systems

06	Swing doors ID 144785
07	Sliding, telescopic and folding doors ID 143639
08	Circular and semi-circular sliding doors ID 135772
09	Revolving doors ID 132050
10	Actuation devices and sensors ID 142655

Smoke and heat extraction and window technology

11	Fanlight opening systems ID 127787
12	Electric opening and locking systems ID 127785, ID 127789
13	Electrical spindle and linear drives ID 127785, ID 127789
14	Electric chain drives ID 127785, ID 127789
15	Smoke and heat extraction systems ID 127785, ID 139075

Safety technology

16	Emergency exit systems ID 132408
17	Access control systems ID 132158
18	Panic locks ID 132848
19	Electric strikes ID 148666
20	Building management system ID 132408

Glass systems

21	Manual sliding wall systems (MSW) ID 104377
22	Integrated all-glass systems (IGG) ID 104366
23	GEZE Patch fittings mono glass systems ID 122521



POTENTIAL APPLICATIONS OF GEZE PRODUCTS



Door technology

The functionality, superior performance and reliability of GEZE door closers are impressive. A common design across the range, the ability to use them on all common door leaf widths and weights, and the fact that they can be individually adjusted makes their selection simple. They are continually being improved and enhanced with up-to-date features. For example, the requirements of fire protection and accessibility are fulfilled with a door closer system.

Automatic door systems

GEZE automatic door systems open up a huge variety of options in door design. The latest, innovative high-performance drive technology, safety, ease of accessibility and first class universal drive design set them apart. GEZE offers complete solutions for individual requirements. A dedicated division is responsible for the development and construction of individual special designs.

Smoke and heat extraction and window technology

GEZE smoke and heat extraction systems and ventilation technology provide complete systems solutions combining the many requirements of different types of windows. We supply a full range from energy efficient drive systems to natural ventilation and complete solutions for supplying and extracting air, also as certified SHEVs.

Safety technology

GEZE safety technology sets the standards where preventative fire protection, access control and anti-theft security in emergency exits are concerned. For each of these objectives GEZE offers tailored solutions, which combine the individual safety requirements in one intelligent system and close doors and windows in case of danger in a coordinated manner.

Building systems

In GEZE's Building Management System GEZE door, window and safety products can be integrated in to the security and control systems of the building. A central control and visualisation system monitors various automation components in the building and offers security through many different networking capabilities.

Glass systems

GEZE glass systems stand for open and transparent interior design. They can either blend discreetly into the architecture of the building or stand out as an accentuated feature. GEZE offers a wide variety of technologies for functional, reliable and aesthetic sliding wall or sliding door systems providing security with lots of design scope.

GEZE GmbH
P.O. Box 1363
71226 Leonberg
Germany

GEZE GmbH
Reinhold-Vöster-Straße 21-29
71229 Leonberg
Germany
Telefon +49 (0) 7152-203-0
Telefax +49 (0) 7152-203-310

www.geze.com

Germany
 GEZE Sonderkonstruktionen GmbH
 Planken 1
 97944 Boxberg-Schweigern
 Tel. +49 (0) 7930-92 94-0
 Fax +49 (0) 7930-92 94-10
 E-Mail: sk.de@geze.com

GEZE GmbH
 Niederlassung Nord/Ost
 Bühringstraße 8
 13086 Berlin (Weissensee)
 Tel. +49 (0) 30-47 89 90-0
 Fax +49 (0) 30-47 89 90-17
 E-Mail: berlin.de@geze.com

GEZE GmbH
 Niederlassung West
 Nordsternstraße 65
 45329 Essen
 Tel. +49 (0) 201-83 082-0
 Fax +49 (0) 201-83 082-20
 E-Mail: essen.de@geze.com

GEZE GmbH
 Niederlassung Mitte
 Adenauerallee 2
 61440 Oberursel (b. Frankfurt)
 Tel. +49 (0) 6171-63 610-0
 Fax +49 (0) 6171-63 610-1
 E-Mail: frankfurt.de@geze.com

GEZE GmbH
 Niederlassung Süd
 Breitwiesenstraße 8
 71229 Leonberg
 Tel. +49 (0) 7152-203-594
 Fax +49 (0) 7152-203-438
 E-Mail: leonberg.de@geze.com

GEZE Service GmbH NL Südwest
 Reinhold-Vöster-Straße 25
 71229 Leonberg
 Tel. +49 (0) 7152-92 33 34

GEZE Service GmbH NL Nord-Ost
 Bühringstraße 8
 13086 Berlin (Weissensee)
 Tel. +49 (0) 30-47 02 17 32

GEZE Service GmbH NL West
 Nordsternstraße 65
 45329 Essen
 Tel. +49 (0) 201-8 30 82 16

GEZE Service GmbH NL Mitte
 Feldbergstraße 59
 61440 Oberursel
 Tel. +49 (0) 6171-63 327-0

GEZE Service GmbH NL Süd
 Parking 17
 85748 Garching bei München 1
 Tel. +49 (0) 89-120 07 42-0

Austria
 GEZE Austria
 Wiener Bundesstrasse 85
 A-5300 Hallwang
 Tel: +43/6225/87180
 Fax: +43/6225/87180-299
 E-Mail: austria.at@geze.com

Baltic States
 GEZE GmbH Baltic States office
 Dzelzavas iela 120 S
 1021 Riga
 Tel. +371 (0) 67 89 60 35
 Fax +371 (0) 67 89 60 36
 E-Mail: office-latvia@geze.com

GEZE Benelux B.V.
 Steenoven 36
 5626 DK Eindhoven
 Tel. +31 (0) 40-26 290-80
 Fax +31 (0) 40-26 290-85
 E-Mail: benelux.nl@geze.com

Bulgaria
 GEZE Bulgaria - Trade
 Representative Office
 61 Pirinski Prohod, entrance „B“,
 4th floor, office 5,
 1680 Sofia
 Tel. +359 (0) 24 70 43 73
 Fax +359 (0) 24 70 62 62
 E-Mail: office-bulgaria@geze.com

China
 GEZE Industries (Tianjin) Co., Ltd.
 Shuangchenzhong Road
 Beichen Economic Development
 Area (BEDA)
 Tianjin 300400, P.R. China
 Tel. +86 (0) 22-26 97 39 95-0
 Fax +86 (0) 22-26 97 27 02
 E-Mail: Sales-info@geze.com.cn

GEZE Industries (Tianjin) Co., Ltd.
 Branch Office Shanghai
 Unit 25N, Cross Region Plaza
 No 899, Ling Ling Road,
 XuHui District
 200030 Shanghai, P.R. China
 Tel. +86 (0) 21-523 40 960
 Fax +86 (0) 21-644 72 007
 E-Mail: chinasales@geze.com.cn

GEZE Industries (Tianjin) Co., Ltd.
 Branch Office Guangzhou
 Room 17C3
 Everbright Bank Building, No.689
 Tian He Bei Road
 510630 Guangzhou
 P.R. China
 Tel. +86 (0) 20-38 73 18 42
 Fax +86 (0) 20-38 73 18 34
 E-Mail: chinasales@geze.com.cn

GEZE Industries (Tianjin) Co., Ltd
 Branch Office Beijing
 Room 1001, Tower D
 Sanlitun SOHO
 No. 8, Gongti North Road,
 Chaoyang District
 100027 Beijing, P.R.China
 Tel. +86 (0) 10-59 35 93 00
 Fax +86 (0) 10-59 35 93 22
 E-Mail: chinasales@geze.com.cn

France
 GEZE France S.A.R.L.
 ZAC de l'Orme Rond
 RN 19
 77170 Servon
 Tel. +33 (0) 1 60 62 60 70
 Fax +33 (0) 1 60 62 60 71
 E-Mail: france.fr@geze.com

Hungary
 GEZE Hungary Kft.
 Bartók Béla út 105-113.
 Budapest
 H-1115
 Tel. +36 (1) 481 4670
 Fax +36 (1) 481 4671
 E-Mail: office-hungary@geze.com

Iberia
 GEZE Iberia S.R.L.
 Pol. Ind. El Pla
 C/Comerc, 2-22, Nave 12
 08980 Sant Feliu de Llobregat
 (Barcelona)
 Tel. +34 9-02 19 40 36
 Fax +34 9-02 19 40 35
 E-Mail: info@geze.es

India
 GEZE India Private Ltd.
 MF 2 & 3, Guindy Industrial Estate
 Ekkattuthangal
 Chennai 600 097
 Tamilnadu
 Tel. +91 (0) 44 30 61 69 00
 Fax +91 (0) 44 30 61 69 01
 E-Mail: office-india@geze.com

Italy
 GEZE Italia Srl
 Via Giotto, 4
 20040 Cambiago (MI)
 Tel. +39 (0) 29 50 695-11
 Fax +39 (0) 29 50 695-33
 E-Mail: italia.it@geze.com

GEZE Engineering Roma Srl
 Via Lucrezia Romana, 91
 00178 Roma
 Tel. +39 (0) 6-72 65 311
 Fax +39 (0) 6-72 65 3136
 E-Mail: roma@geze.biz

Poland
 GEZE Polska Sp.z o.o.
 ul. Annapol 21
 03-236 Warszawa
 Tel. +48 (0) 22 440 4 440
 Fax +48 (0) 22 440 4 400
 E-Mail: geze.pl@geze.com

Romania
 GEZE Romania s.r.l.
 IRIDE Business Park,
 Str. Dimitrie Pompeiu nr. 9-9a,
 Building 10, Level 2, Sector 2,
 020335 Bucharest
 Tel.: +40 (0) 21 25 07 750
 Fax: +40 (0) 21 25 07 750
 E-Mail: office-romania@geze.com

Russian Federation
 GEZE GmbH Representative
 Office Russia
 Gamsonovskiy Per. 2
 115191 Moskau
 Tel. +7 (0) 495 933 06 59
 Fax +7 (0) 495 933 06 74
 E-Mail: office-russia@geze.com

Scandinavia – Sweden
 GEZE Scandinavia AB
 Mallslingan 10
 Box 7060
 18711 Täby, Sweden
 Tel. +46 (0) 8-7323-400
 Fax +46 (0) 8-7323-499
 E-Mail: sverige.se@geze.com

Scandinavia – Norway
 GEZE Scandinavia AB avd. Norge
 Industriveien 34 B
 2073 Dal
 Tel. +47 (0) 639-57 200
 Fax +47 (0) 639-57 173
 E-Mail: norge.se@geze.com

Scandinavia – Finland
 Branch office of GEZE Scandinavia AB
 Herralantie 824
 Postbox 20
 15871 Hollola
 Tel. +358 (0) 10-40 05 100
 Fax +358 (0) 10-40 05 120
 E-Mail: finland.se@geze.com

Scandinavia – Denmark
 GEZE Danmark
 Branch office of GEZE Scandinavia AB
 Märkærvej 13 J-K
 2630 Taastrup
 Tel. +45 (0) 46-32 33 24
 Fax +45 (0) 46-32 33 26
 E-Mail: danmark.se@geze.com

Singapore
 GEZE (Asia Pacific) Pte. Ltd.
 21 Bukit Batok Crescent
 #23-75 Wcega Tower
 Singapore 658065
 Tel: +65 6846 1338
 Fax: +65 6846 9353
 E-Mail: gezesea@geze.com.sg

South Africa
 GEZE Distributors (Pty) Ltd.
 118 Richards Drive, Halfway House,
 Ext 111, P.O. Box 7934, Midrand 1685,
 South Africa
 Tel: + 27 (0) 113 158 286
 Fax: + 27 (0) 113158261
 Email: info@gezesa.co.za

Switzerland
 GEZE Schweiz AG
 Bodenackerstrasse 79
 4657 Dulliken
 Tel. +41 (0) 62 285 54 00
 Fax +41 (0) 62 285 54 01
 E-Mail: schweiz.ch@geze.com

Turkey
 GEZE GmbH Türkiye - İstanbul
 İrtibat Bürosu
 Ataşehir Bulvarı, Ata 2/3
 Plaza Kat: 9 D: 84 Ataşehir
 Kadıköy / İstanbul
 Tel. + 90 (0) 21 64 55 43 15
 Fax + 90 (0) 21 64 55 82 15
 E-Mail: office-turkey@geze.com

Ukraine
 GEZE Ukraine TOV
 ul. Viskoznaya, 17,
 Building 93-B, Office 12
 02660 Kiev
 Tel./Fax +38 (0) 44 501 22 25
 E-Mail: office-ukraine@geze.com

United Arab Emirates/GCC
 GEZE Middle East
 P.O. Box 17903
 Jebel Ali Free Zone
 Dubai
 Tel. +971 (0) 4-88 33 112
 Fax +971 (0) 4-88 33 240
 E-Mail: geze@emirates.net.ae

United Kingdom
 GEZE UK Ltd.
 Blenheim Way
 Fradley Park
 Lichfield
 Staffordshire WS13 8SY
 Tel. +44 (0) 1543 44 30 00
 Fax +44 (0) 1543 44 30 01
 E-Mail: info.uk@geze.com

GEZE REPRÄSENTANT