

**ISEO**  
www.iseo.com

Iseo Serrature s.p.a.  
Via San Girolamo 13  
25055 Pisogne (BS)  
ITALY  
Tel. + 39 0364 8821  
iseo@iseo.eu

Code 000767.UK - Print 09/2010 - Non-contractual document. Subject to change.



## Trim-Tronic



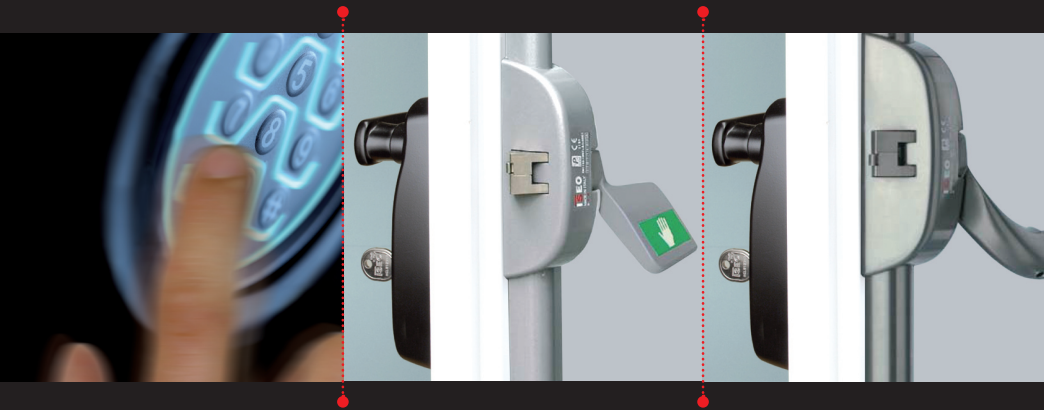
ELECTRONIC OUTSIDE ACCESS  
CONTROL UNIT FOR  
PANIC EXIT DEVICES

**ISEO**  
UN MONDO PIÙ SICURO


# Trim-Tronic

The Trim-Tronic unit interfaces with multipoint locking panic bars, providing a long awaited solution to the problem where a door is opened by a panic bar from the inside but cannot be accessed from the outside.

The Trim-Tronic allows you to use access control on panic exit, overriding the bar from the outside whilst still allowing safe emergency exit from the building.



## Main features

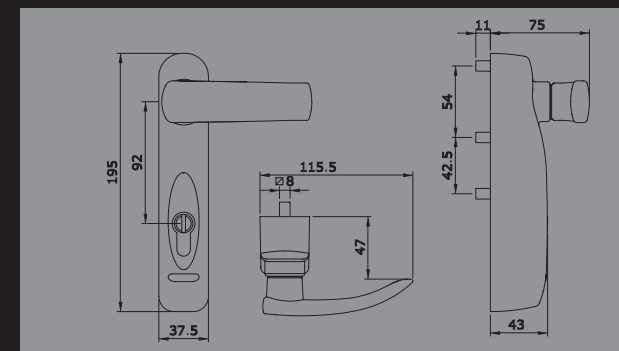
- Designed to interact with all ISEO panic exit devices: 1, 2 and 3 top and bottom point of locking;
  - Can be easily installed on any type of frame such as: aluminium, pvc, timber, etc. providing a very high aesthetical result appreciated by architects;
  - Works on double doors;
  - 12V DC, 2A (peak) operation;
  - Can replace any mechanical ISEO outside access;
  - No need for battery back-up;
  - Provided with anti-vandalism handle;
  - 3 years warranty (see the terms of sale).
-  Trim-Tronic unit is sealed by two different waterproof systems: special escutcheon seals the mechanical part meanwhile the electronic device is protected by a special synthetic resin;

## Functions

**MECHANICAL FREE ACCESS MODE:**  
to be used if door is required to be left in free access mode for a period of time.

**NOT-HANDED**  
Reversible system for right/left openings.

The 8 mm spindle can be electronically engaged to operate single or multi point locking hardware. It allows both a free and a forbidden entry, even with the key.



**Electronic outside access control unit**

### Code

grey **94091103E**  
white **94091104E**  
black **94091105E**

Trim-Tronic unit can be electronic activated by an inside/outside remote control such as: push-button/digicode/badge reader, etc. In this case the unit is engaged for free access for a period of

programmed time by an access control device (beyond this period it is necessary to activate the electronic access control device again). Nevertheless the Trim-Tronic may be engaged for access by key and handle as a

conventional outside unit. Moreover, to prevent anybody from entering using both electronic devices or mechanical key, the Trim-Tronic unit could be blocked by a dedicated electronic remote control.

## Two LEDs (1 red and 1 green)

Steady red: handle disabled.  
Flashing green: handle temporary enabled.

**ISEO**